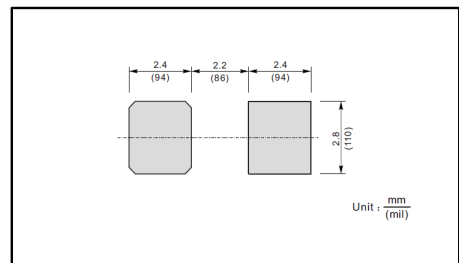


60V 3.0A SMB



PIN	DESCRIPTION
1	Cathode
2	Anode

The recommended mounting pad size

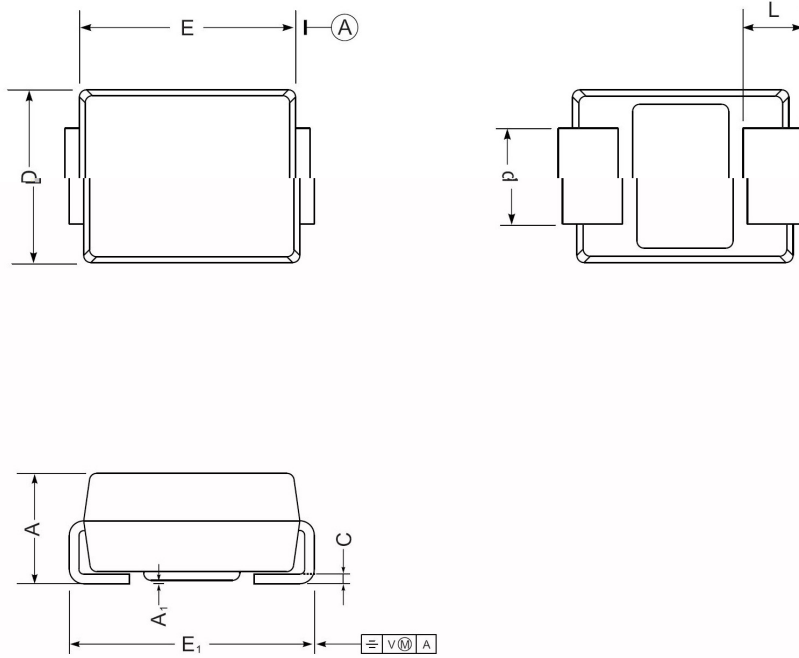




	()		
			°C
			°C
			°C

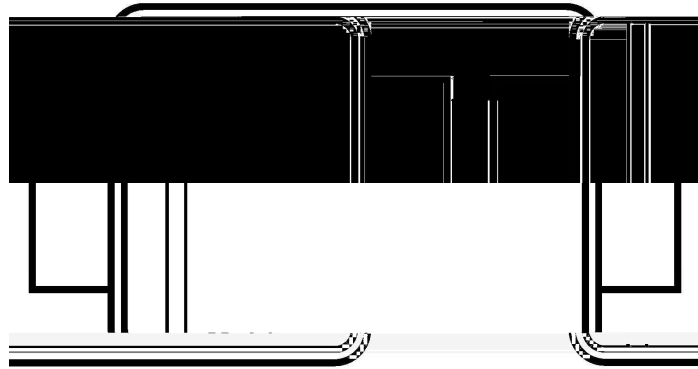


			数值	
		°C °C		

SMB


SMB mechanical data

UNIT		A	E	D	E ₁	A ₁	L	C	b
mm	max.	2.44	4.70	3.94	5.59	0.20	1.5	0.305	2.2
	min.	2.13	4.06	3.3	5.08	0.05	0.8	0.153	1.9
mil	max.	96	185	155	220	7.9	59	12	87
	min.	84	160	130	200	2.0	32	6	75



SSL36

SSL36

