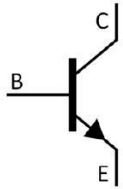


TO-92

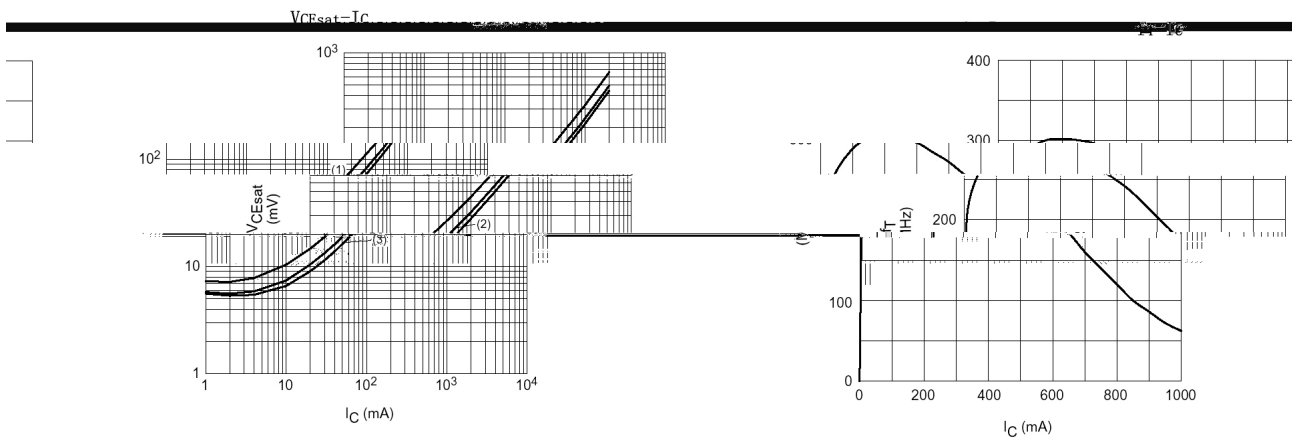
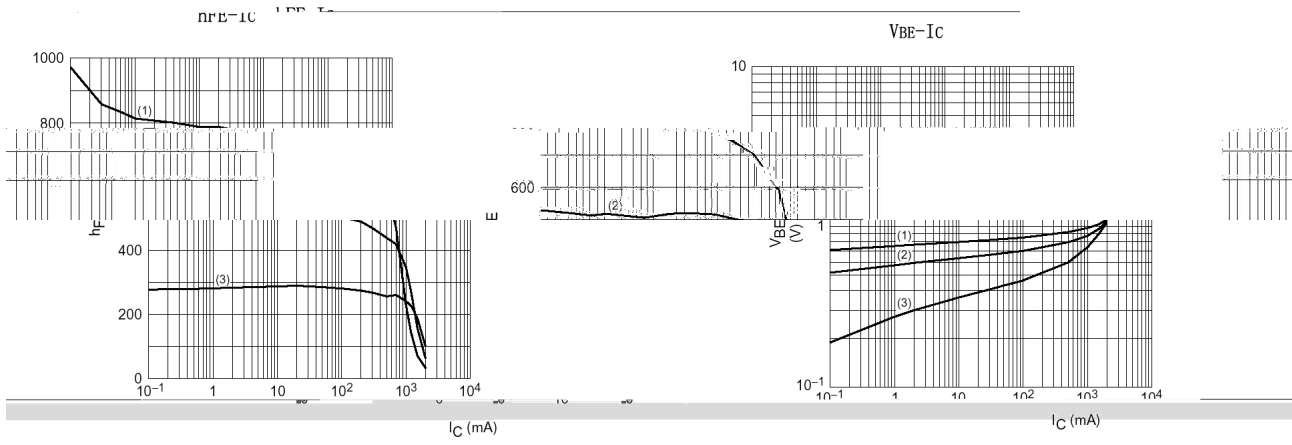
NPN



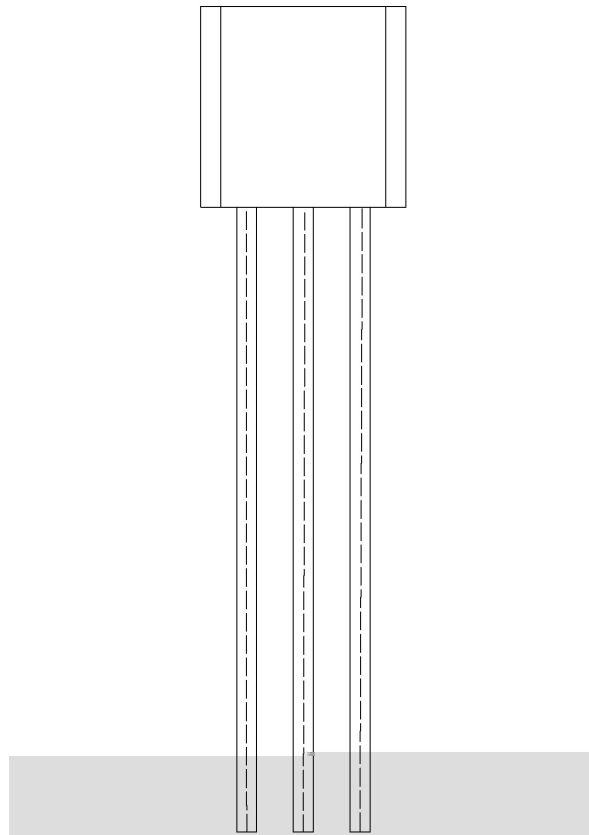





						μ
						μ
						μ







BR:

4140S

\*\*\*\*

