

**/ Descriptions**

Silicon PNP transistor in a SOT-89 Plastic Package.

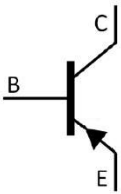
**/ Features**

High voltage, low saturation voltage, low collector output capacitance, complementary pair with MMBTA42T.

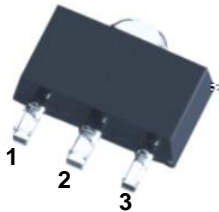
**/ Applications**

High voltage control circuit.

**/ Equivalent Circuit**



**/ Pinning**



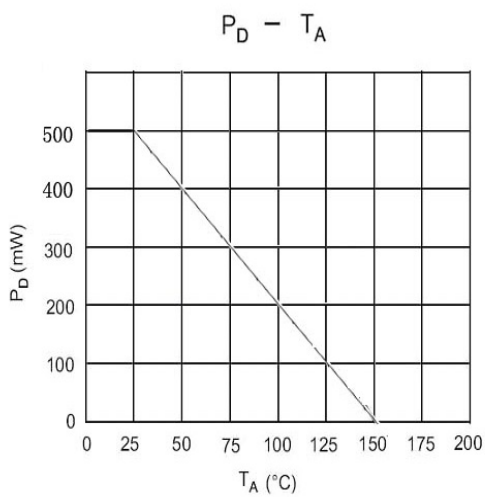
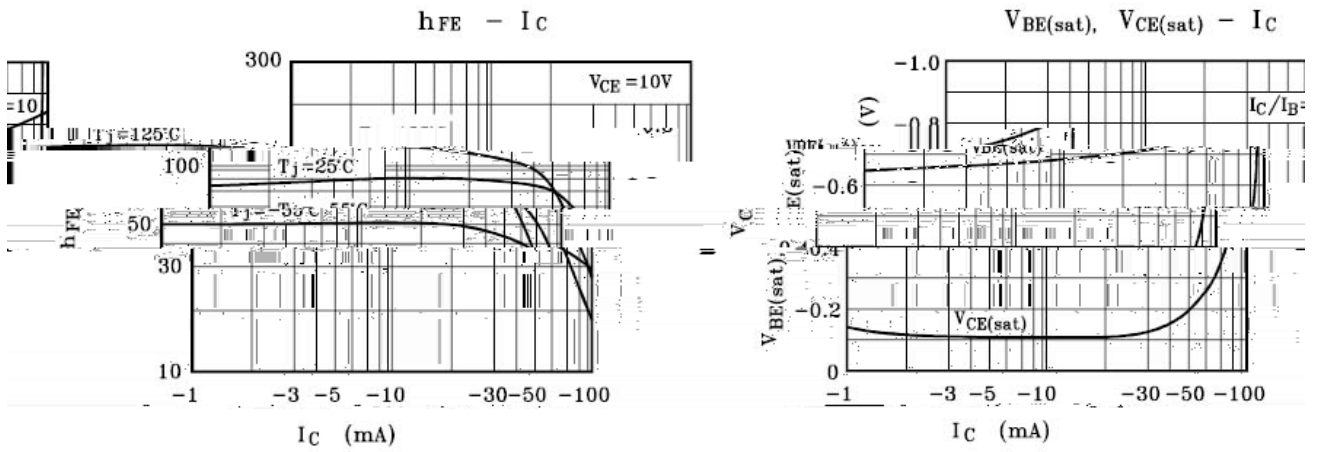
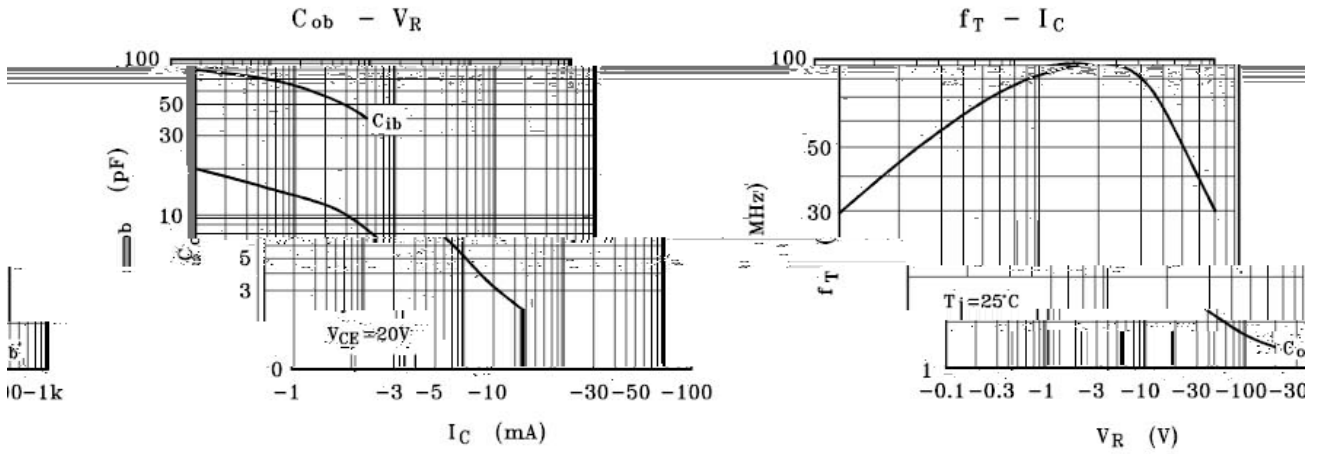
PIN1 Base      PIN 2 Collector      PIN 3 Emitter

**/ Marking**

Marking	H2D <sup>*</sup>
---------	------------------

Parameter	Symbol	Rating	Unit
Collector to Base Voltage	$V_{CBO}$	-300	V
Collector to Emitter Voltage	$V_{CEO}$	-300	V
Emitter to Base Voltage	$V_{EBO}$	-5.0	V
Collector Current - Continuous	$I_C$	-500	mA
Collector Power Dissipation	$P_C$	500	mW

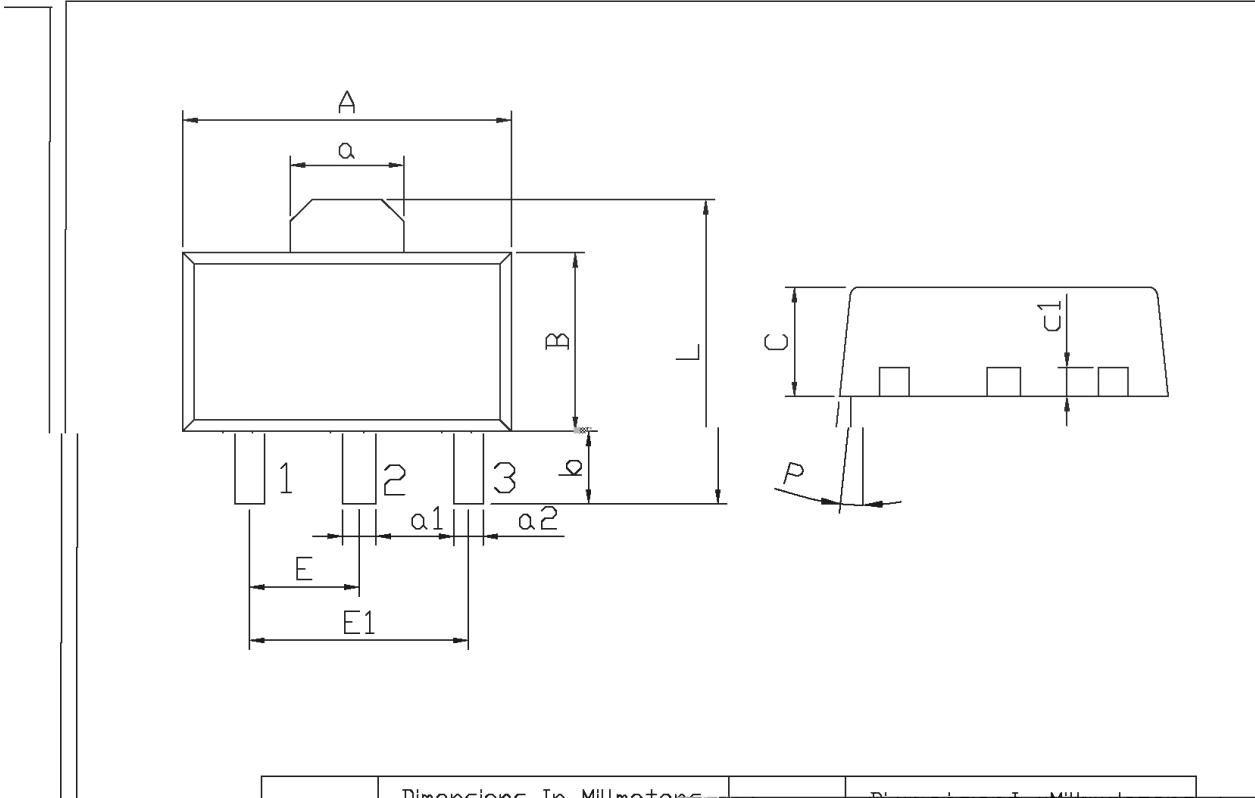
/ Electrical Characteristic Curve



/ Package Dimensions

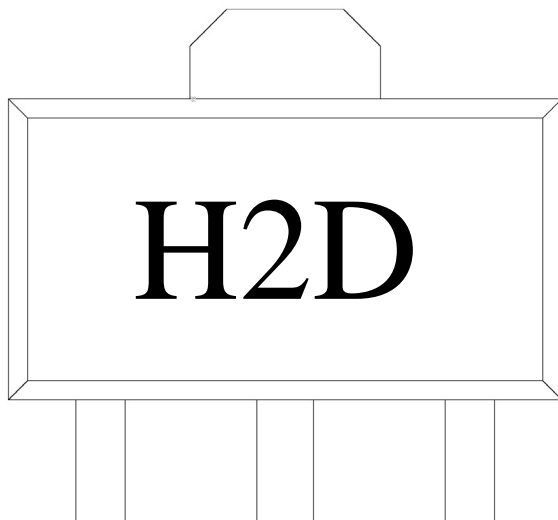
↑ 301289

单位: mm



Dimensions In Millimeters	0.80	1.20			
b	0.80	1.20			

/ Marking Instructions



H  
2D

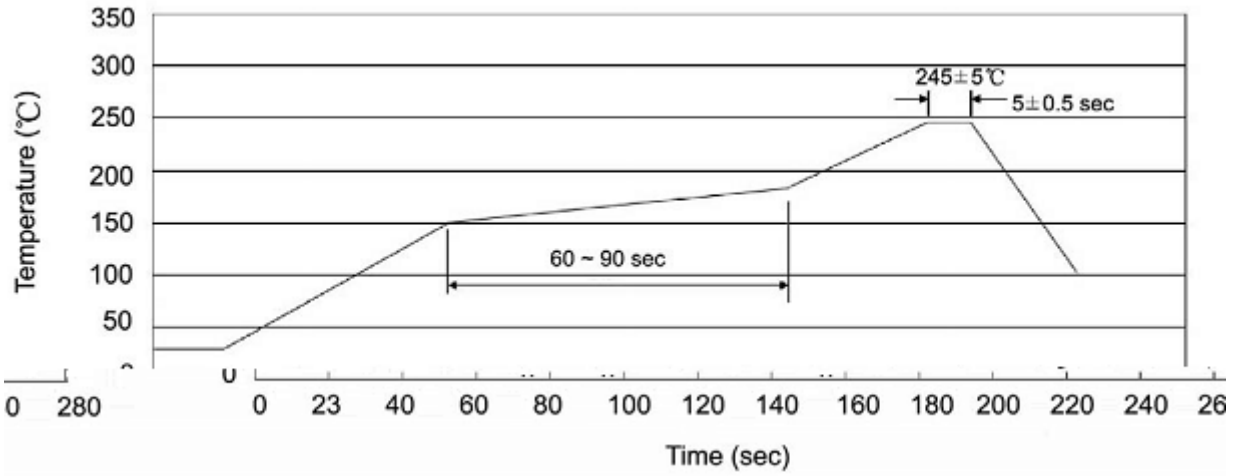
Note:

H: Company Code.

2D: Product Type.

\*\*: Lot No. Code, code change with Lot No.

( ) /



Note:

- |   |     |     |    |          |   |
|---|-----|-----|----|----------|---|
| 1 | 25  | 150 | 60 | 90sec;   | 1.Preheating:25~150 , Time:60~90sec.    |
| 2 | 245 | 5   | 5  | 0.5sec;  | 2.Peak Temp.:245 5 , Duration:5 0.5sec. |
| 3 |     |     | 2  | 10 /sec. | 3. Cooling Speed: 2~10 /sec.            |

/ Resistance to Soldering Heat Test Conditions

260 5                      10 1 sec.                      Temp.:260±5                      Time:10±1 sec

/ Packaging SPEC.