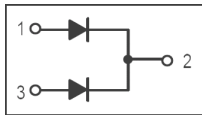


## / Descriptions

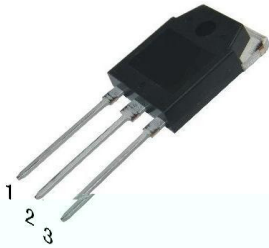
## / Features

## / Applications

## / Equivalent Circuit



## / Pinning



## / h<sub>FE</sub> Classifications & Marking

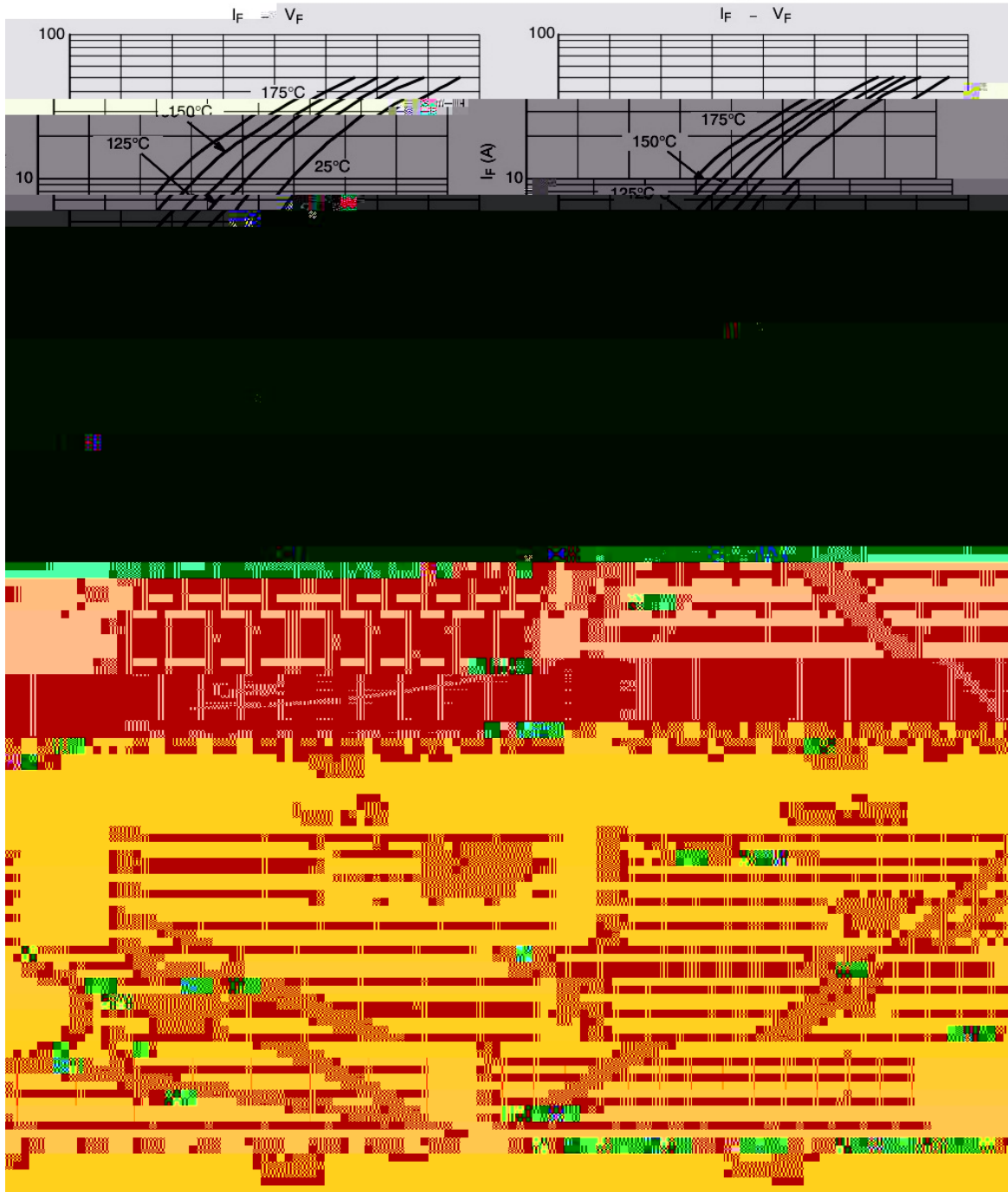
**/ Absolute Maximum Ratings(Ta=25 )**

	( )		
	θ		
		~	

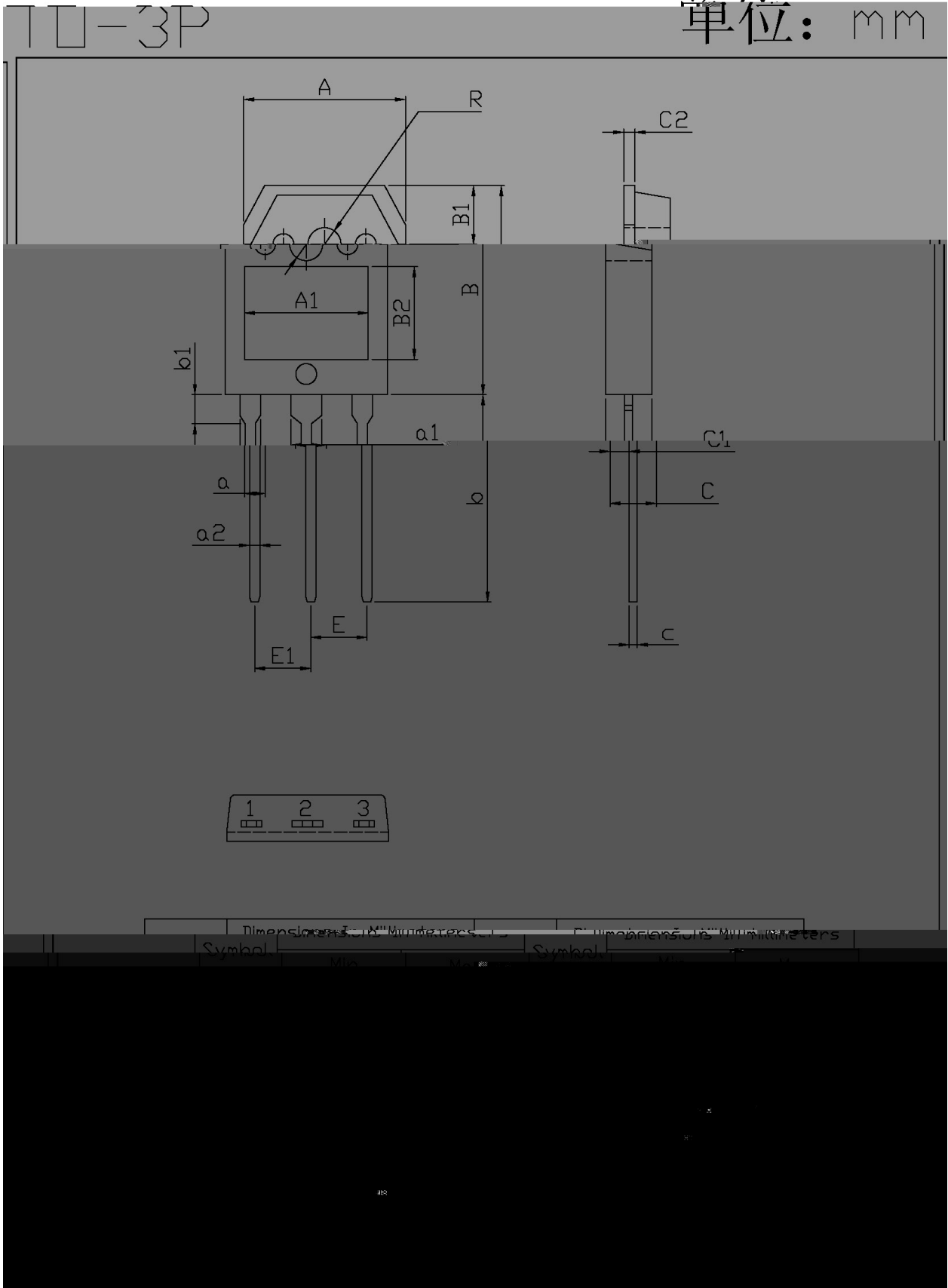
**/ Electrical Characteristics(Ta=25 )**

						μ

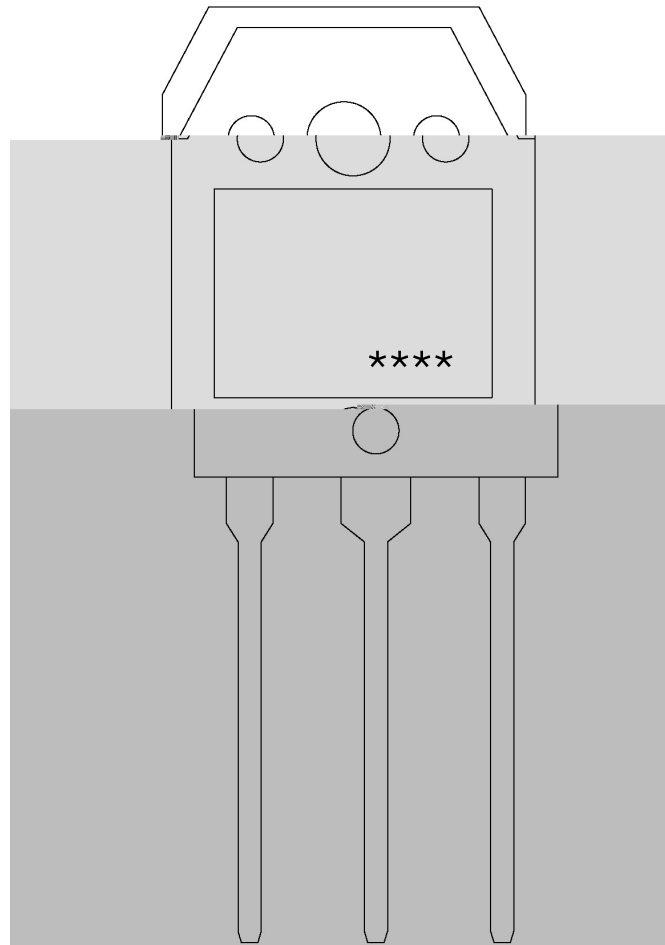
/ Electrical Characteristic Curve



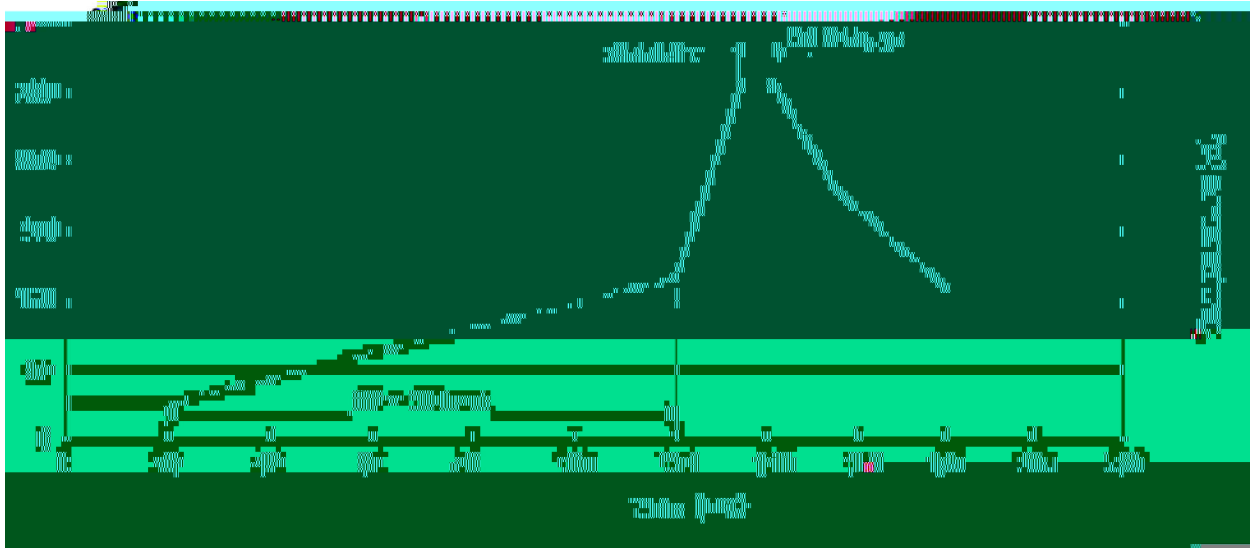
/ Package Dimensions



/ Marking Instructions



( ) / Temperature Profile for Dip Soldering(Pb-Free)



/ Resistance to Soldering Heat Test Conditions

/ Packaging SPEC.

	Units/Tube	Tubes/Inner Box	Units/Inner Box	Inner Boxes/Outer Box	Units/Outer Box	Tube	Inner Box	Outer Box
	/	/	/	/	/			
TO-3P	30	15	450	5	2250	497.5×46×8	555×164×50	575×290×180

/ Notices