

# LV10150BCT

Rev.F May.-2016

## / Descriptions

TO-263

Schottky Diode in a TO-263 Plastic Package.

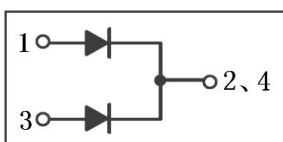
## / Features

Low power loss, high efficiency.

## / Applications

For use in low voltage,high frequency inverters, free wheeling, and polarity protection applications.

## / Equivalent Circuit



## / Pinning



PIN1 Anode

PIN 2 4 Cathode

PIN 3 Anode

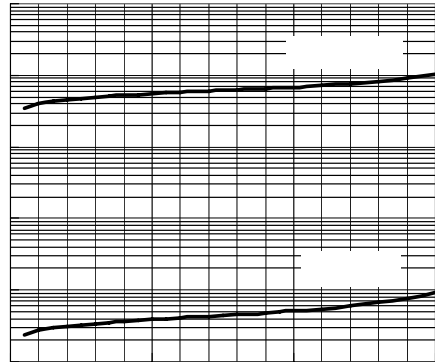
## / $h_{FE}$ Classifications & Marking

See Marking Instructions.

# **LV10150BCT**

Rev.F May.-2016

**/ Electrical Characteristic Curve**



\_\_\_\_\_

\_\_\_\_\_

\_\_\_\_\_

\_\_\_\_\_

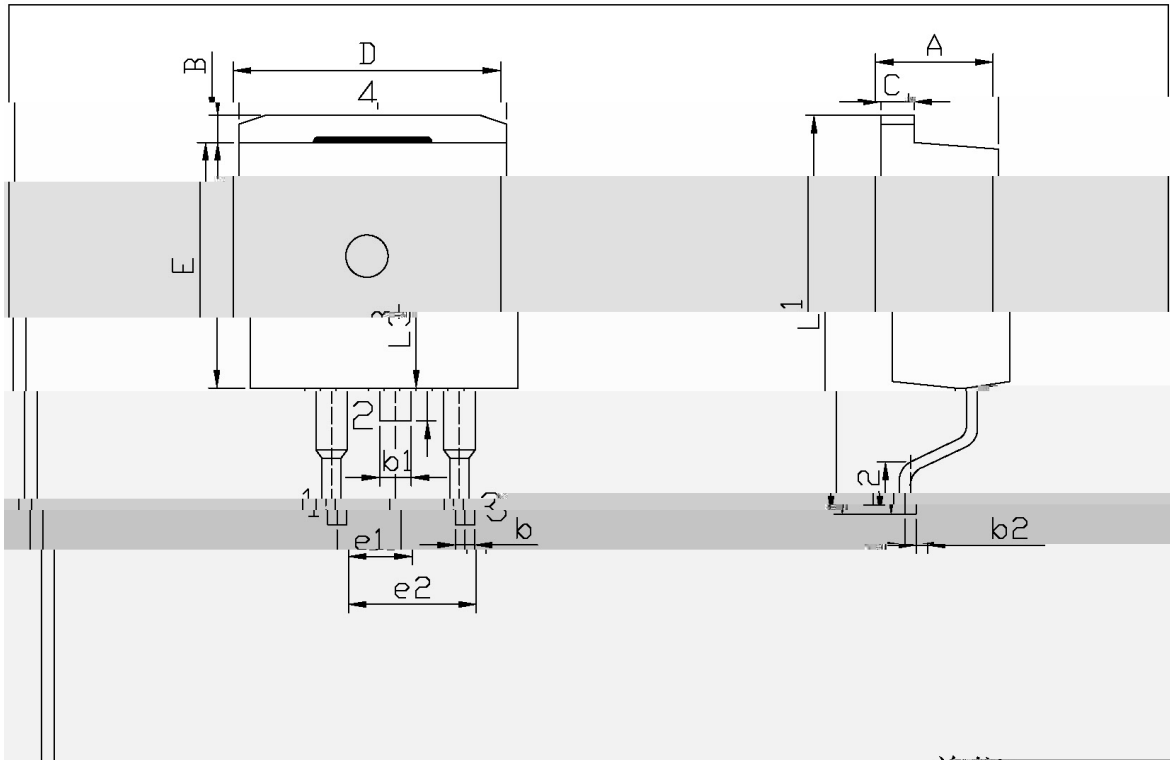
\_\_\_\_\_

\_\_\_\_\_

\_\_\_\_\_

\_\_\_\_\_

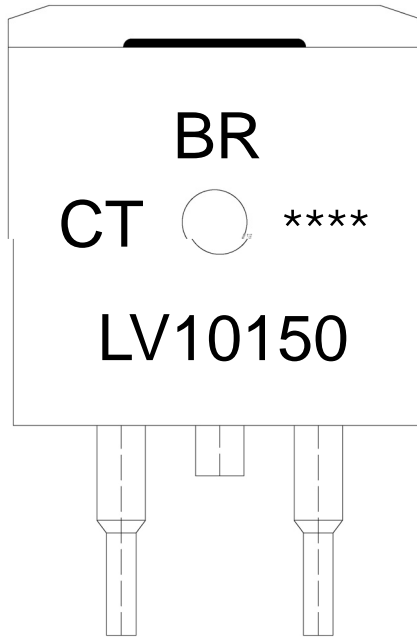
**/ Package Dimensions**



单位: mm

Symbol	Dimensions In Millimeters		Symbol	Dimensions In Millimeter	
	Min	Max		Min	Max
	A	4.30		4.70	E
B	1.00	1.40	C	1.00	1.40

/ Marking Instructions



BR

LV10150

CT:

\*\*\*\*

Note:

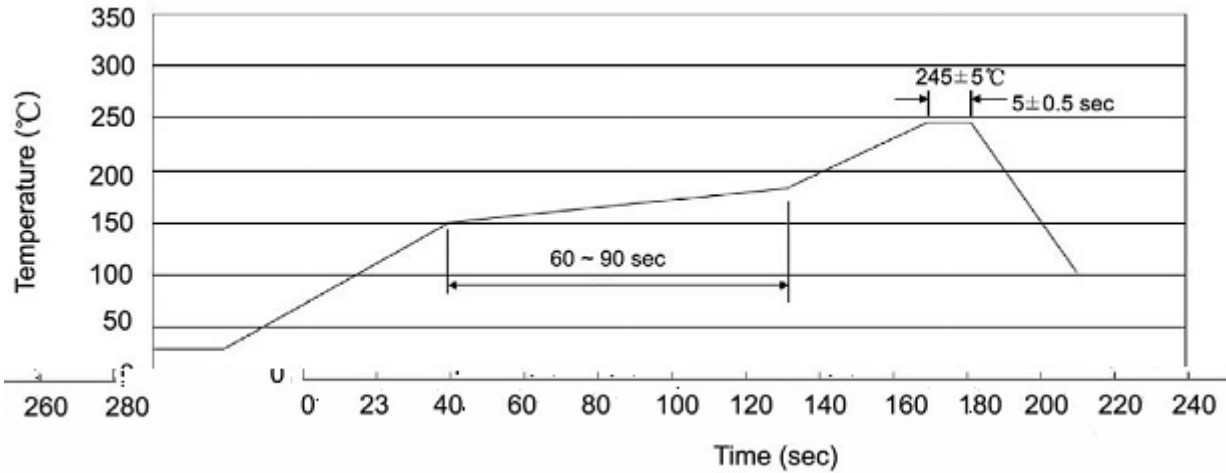
BR: Company Code

LV10150 Product Type.

CT: Internal Structure

\*\*\*\*: Lot No. Code, code change with Lot No.

( ) /



Note:

- 1            25   150            60   90sec;            1.Preheating:25~150 , Time:60~90sec.
- 2            245±5                    5±0.5sec;            2.Peak Temp.:245±5 , Duration:5±0.5sec.
- 3                            2   10 /sec.            3. Cooling Speed: 2~10 /sec.

**/ Resistance to Soldering Heat Test Conditions**

260±5                    10±1 sec.                    Temp.:260±5                    Time:10±1 sec

**/ Packaging SPEC.**

/ REEL

Package Type 封装形式	Units 包装数量					Dimension 包装尺寸 (unit: mm <sup>3</sup> )		
	Units/Reel 只/卷盘	Reels/Inner Box 卷盘/盒	Units/Inner Box 只/盒	Inner Boxes/Outer Box 盒/箱	Units/Outer Box 只/箱	Reel	Inner Box 盒	Outer Box 箱
TO-263	800	1	800	5	4,000	13 ×24	360×360×50	385×257×392

/ TUBE

Package Type 封装形式	Units 包装数量					Dimension 包装尺寸 (unit: mm <sup>3</sup> )		
	Units/Tube 只/套管	Tubes/Inner Box 套管/盒	Units/Inner Box 只/盒	Inner Boxes/Outer Box 盒/箱	Units/Outer Box 只/箱	Tube 套管	Inner Box 盒	Outer Box 箱
TO-263	50	20	1,000	5	5,000	532×33×7.0	555×164×50	575×290×180

**/ Notices**