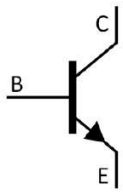


TO-126 NPN

$P_C = 1.5W$ $T_C = 25$
℃

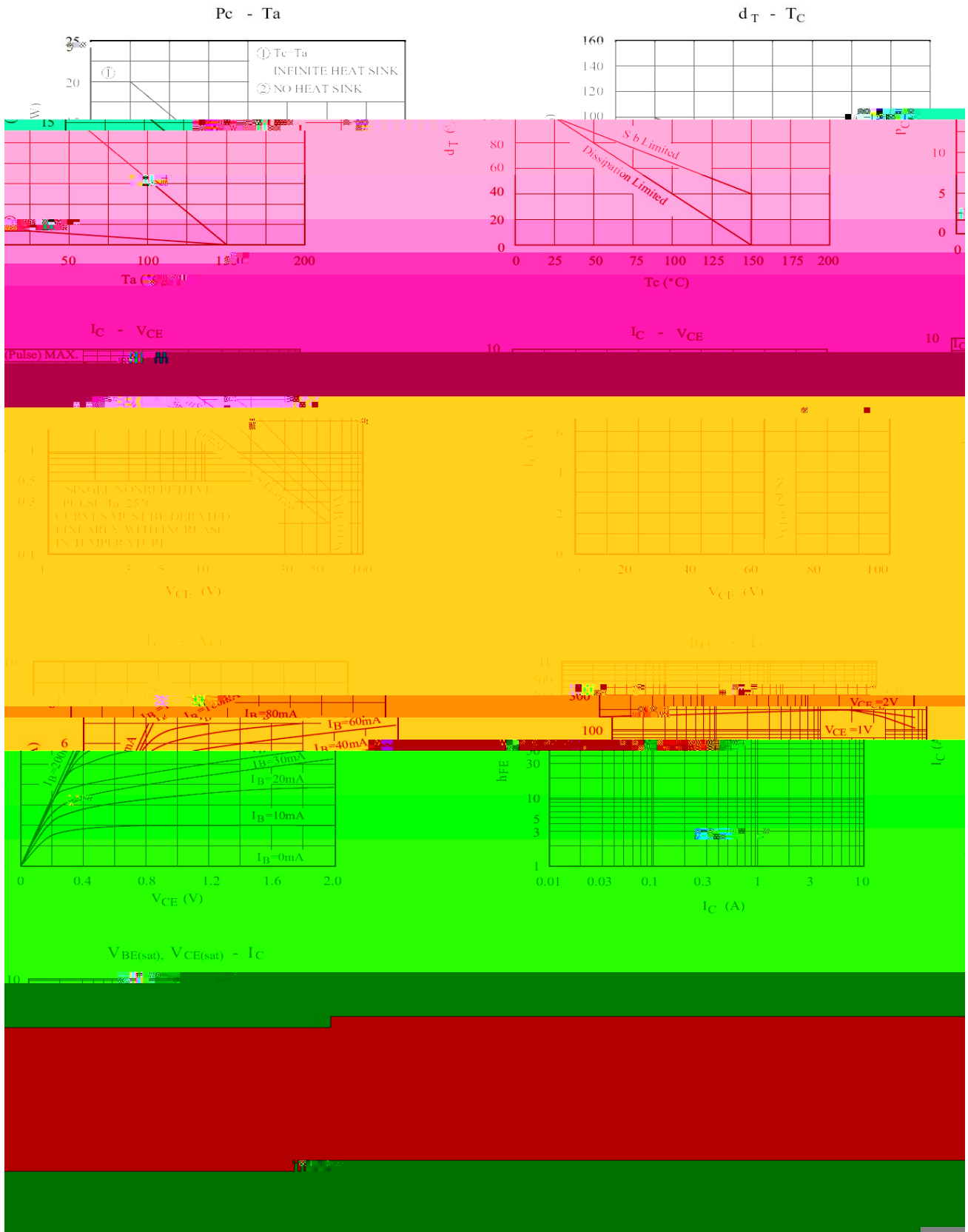




		~	

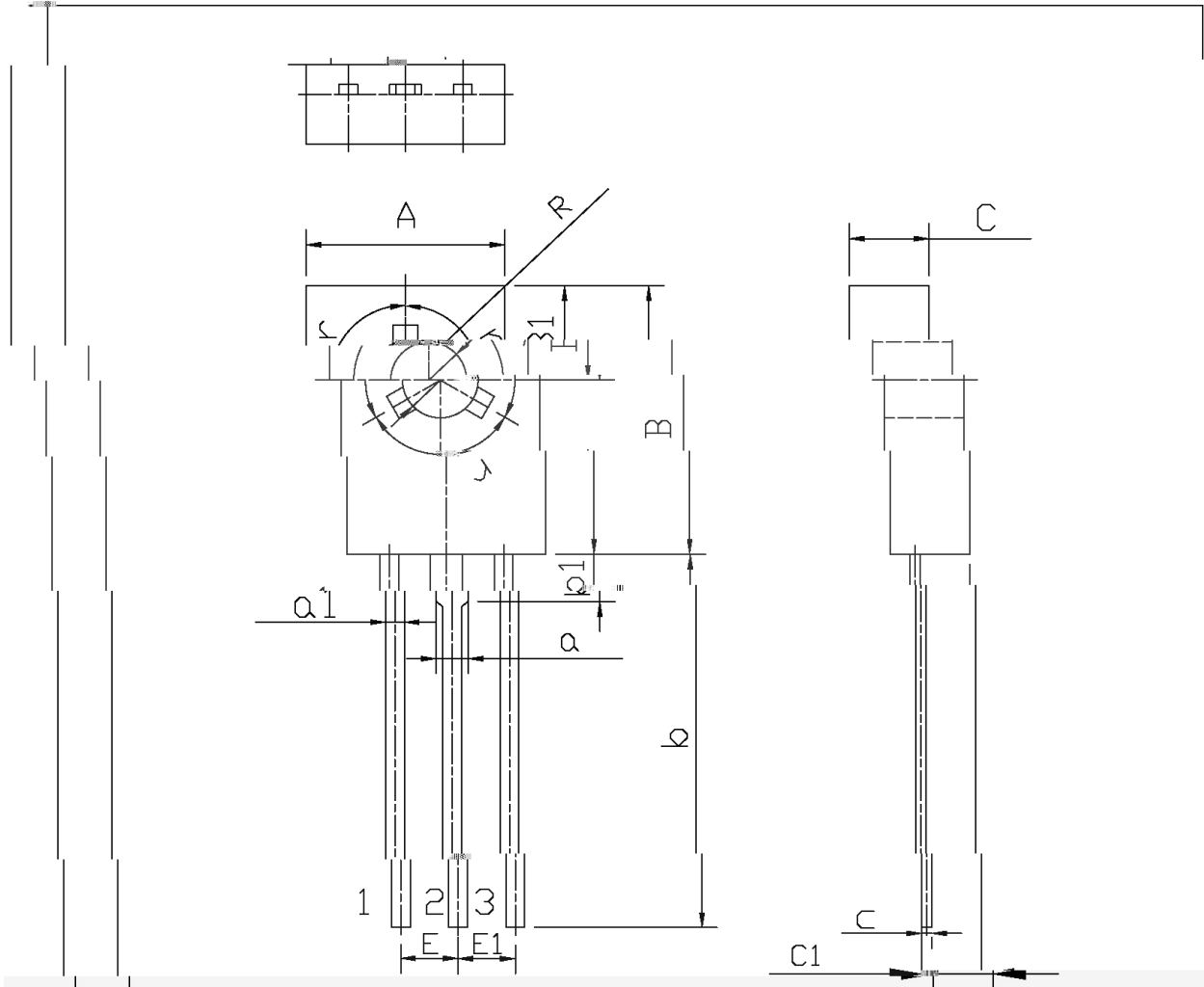


						μ
						μ
						μ
						μ
						μ

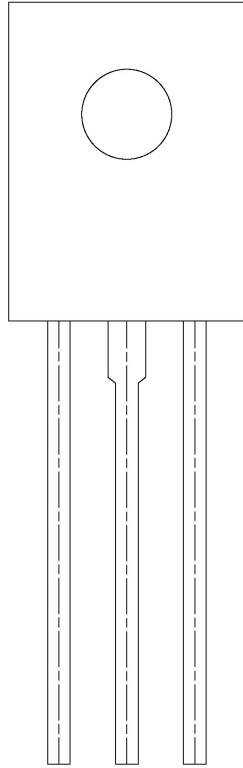


TQ-126

单位: mm



Symbol	Dimensions In: Millimeters		Symbol	Dimensions In: Millimeters	
	Min	Max		Min	Max
A	7.8	8.2	a1	0.66	0.86
B	10.6	11.0	E	2.1	2.5
B1	3.6	4.0	C	2.7	2.9
R	2.9	3.3	C1	1.57	1.77
k	14	16	c	0.3	0.6
b1	1.9		a	1.37	
E1	2.1	2.5	r	120°	



BR

D1691
