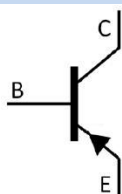


## / Descriptions

## / Features

## / Applications

## / Equivalent Circuit



## / Pinning



## / $h_{FE}$ Classifications & Marking

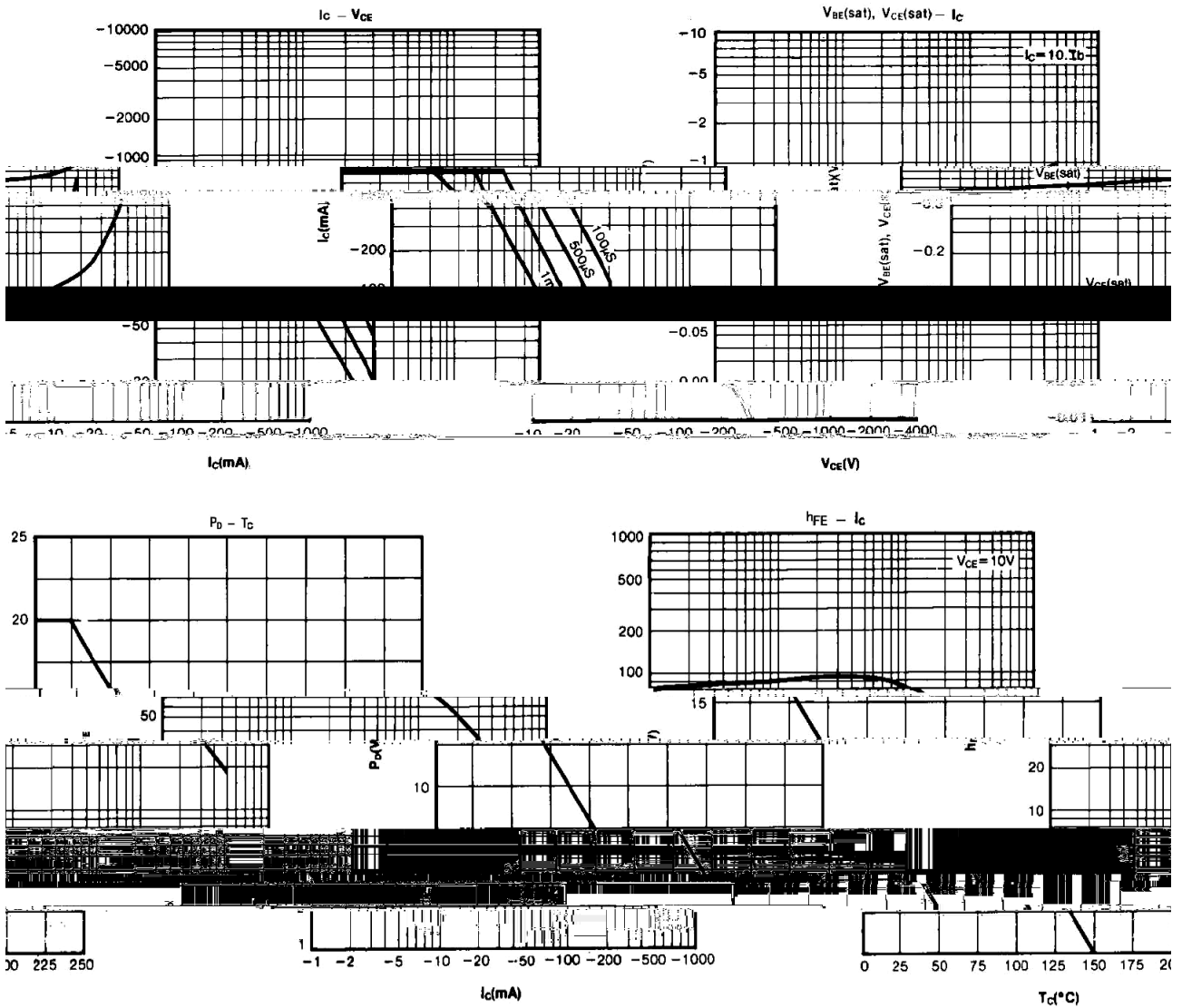
**/ Absolute Maximum Ratings(Ta=25 )**

		~	

**/ Electrical Characteristics(Ta=25 )**

						μ
						μ

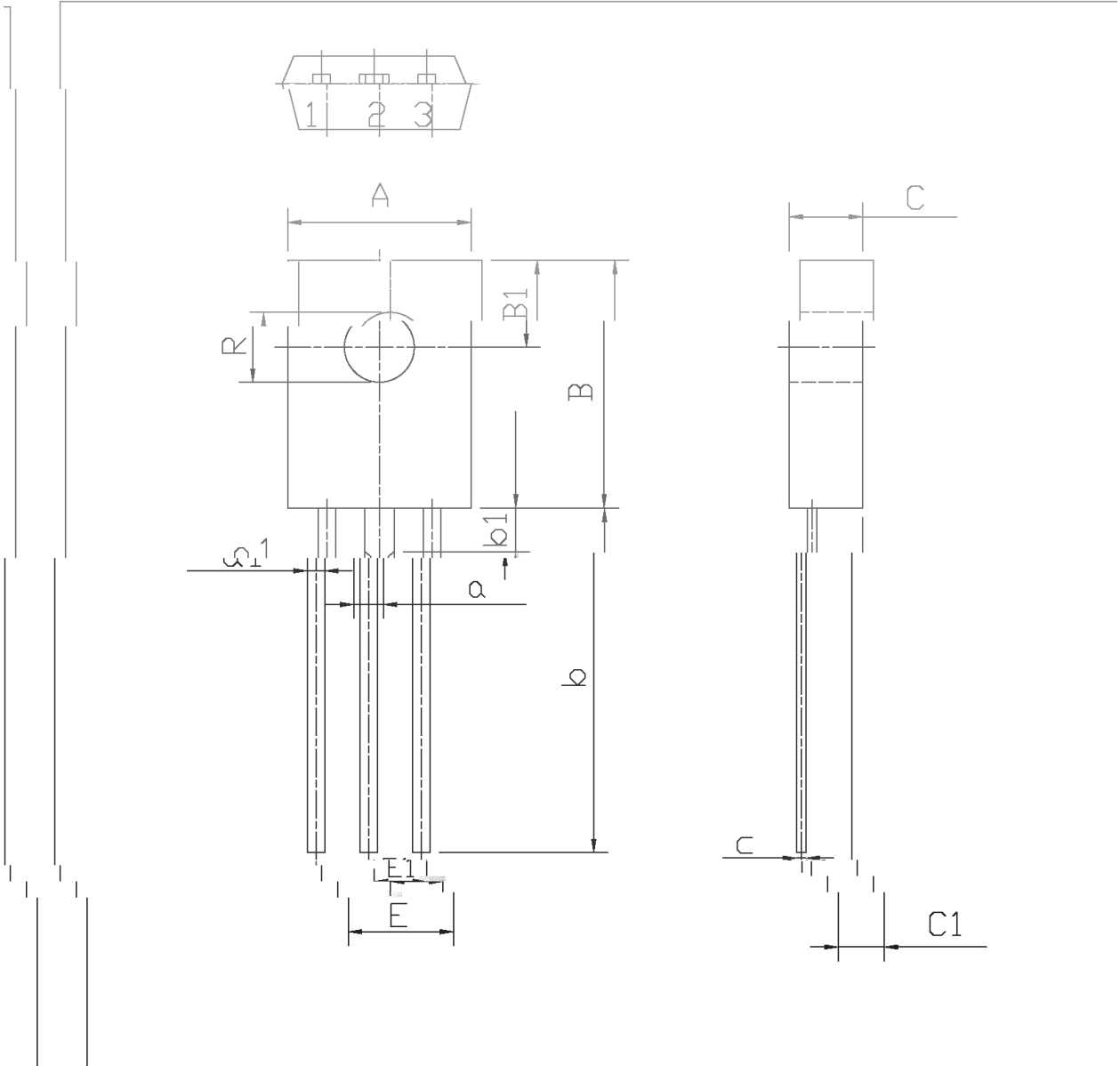
/ Electrical Characteristic Curve



/ Package Dimensions

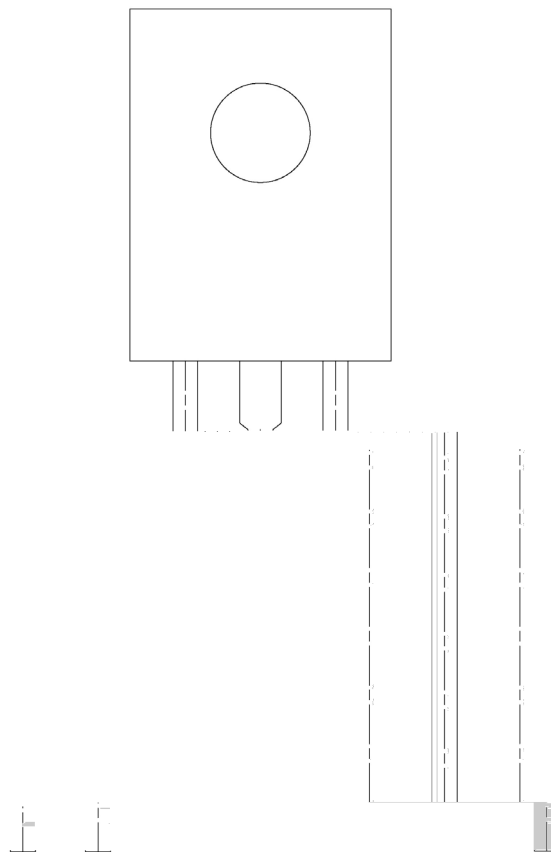
126T

单位: mm

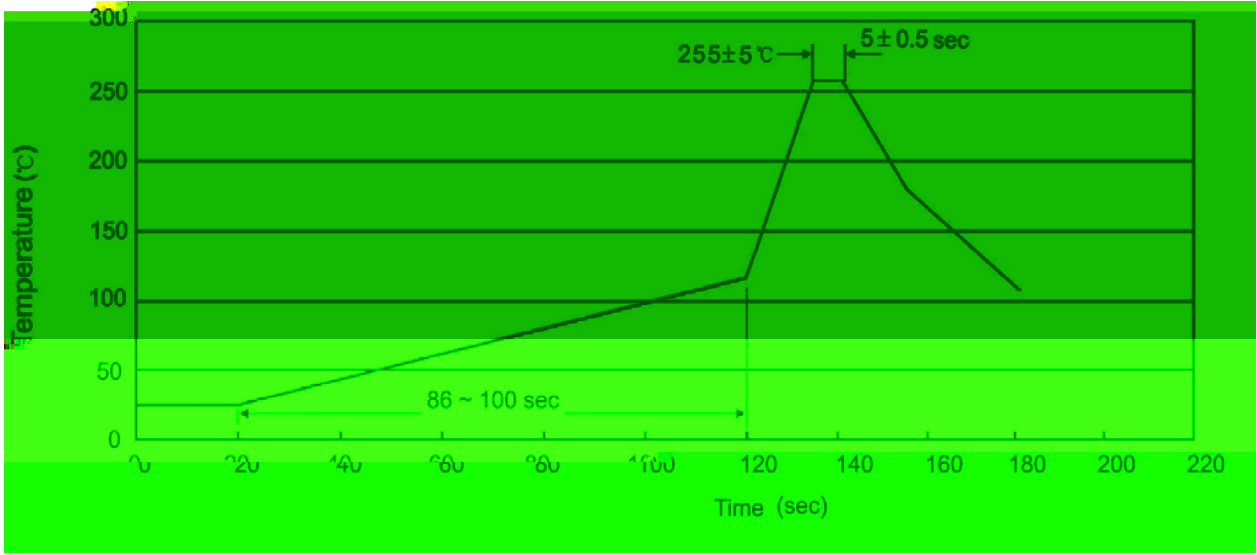


Symbol	Dimensions In Millimeters		Symbol	Dimensions In Millimeters	
	Min	Max		Min	Max
A	7.8	8.2	a1	0.55	0.85
B <sup>P</sup>	10.8	11.2	E	4.4	4.8
B1	3.8	4.2	C	3.1	3.3
R	2.95	3.15	C1	1.9	2.1
b	14	16	c	0.3	0.6
b1	1.9		a	1.27	
E1	2.1	2.5			

/ Marking Instructions



( ) / Temperature Profile for Dip Soldering(Pb-Free)



/ Resistance to Soldering Heat Test Conditions

/ Packaging SPEC.

封装形式	包装数量					包装尺寸 :		
	只 套管	套管 盒	只 盒	盒 箱	只 箱	套管	盒	箱

封装形式	包装数量					包装尺寸 :		
	只 套管	[Redacted]				[Redacted]		