

SOT23-3

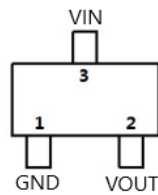
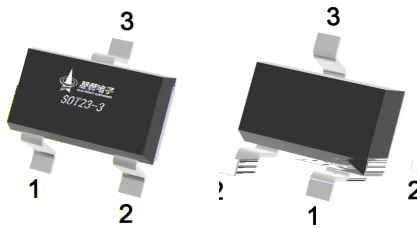
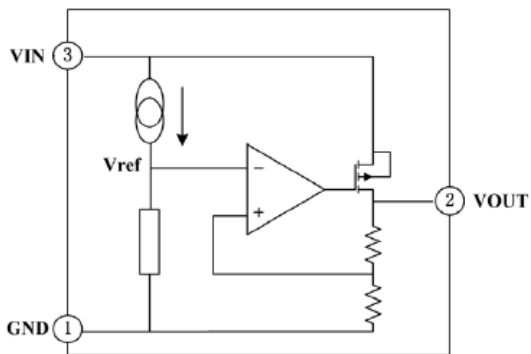
20V

1.5 μ A

$\pm 2\%$

μ

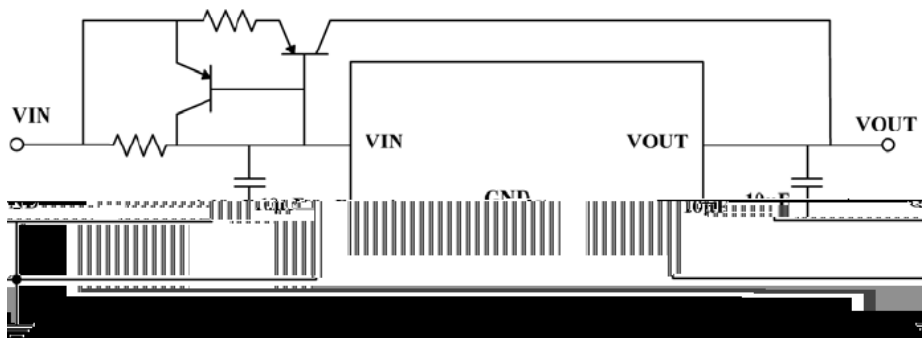
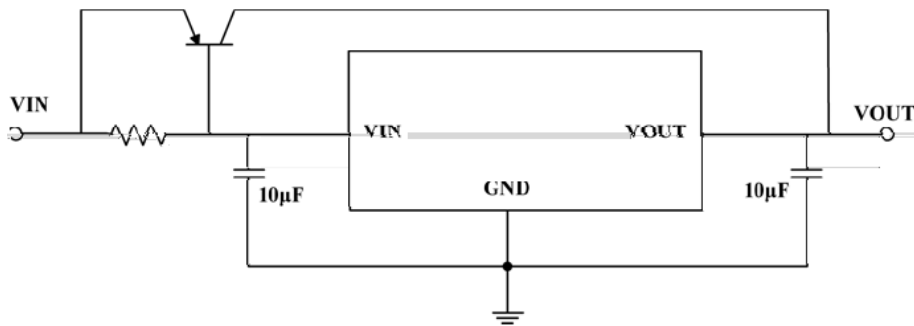
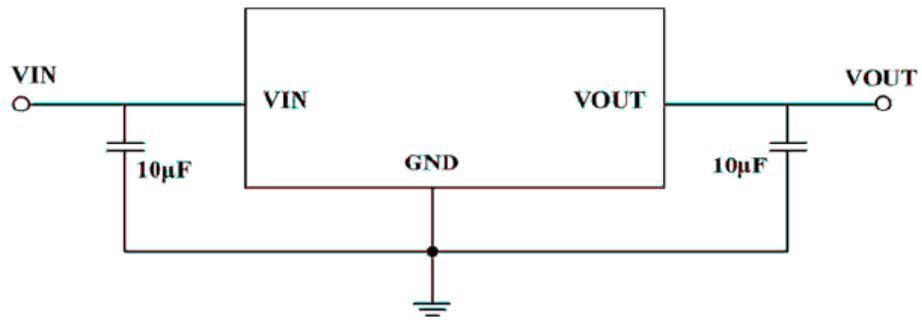
: $\pm 2\%$

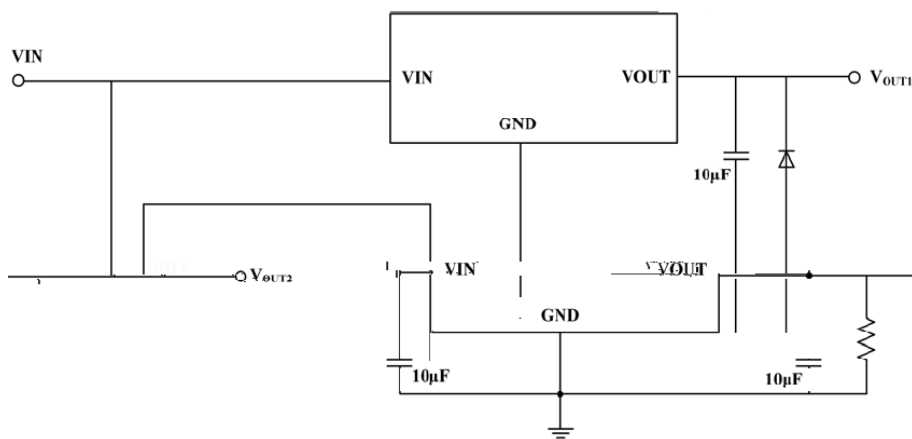
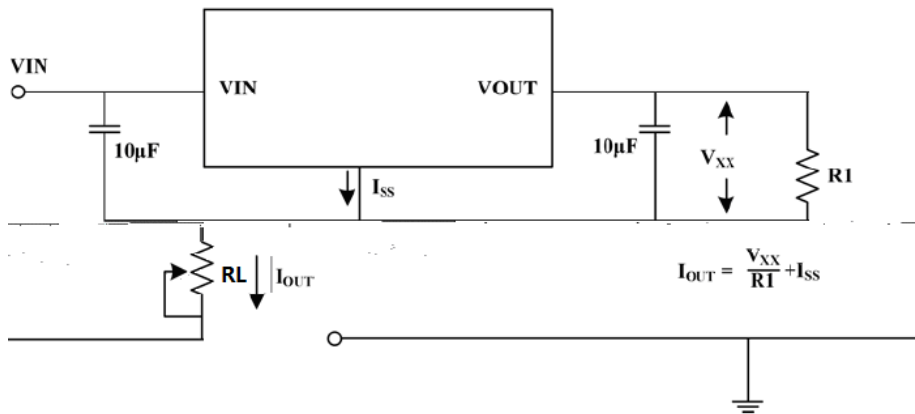
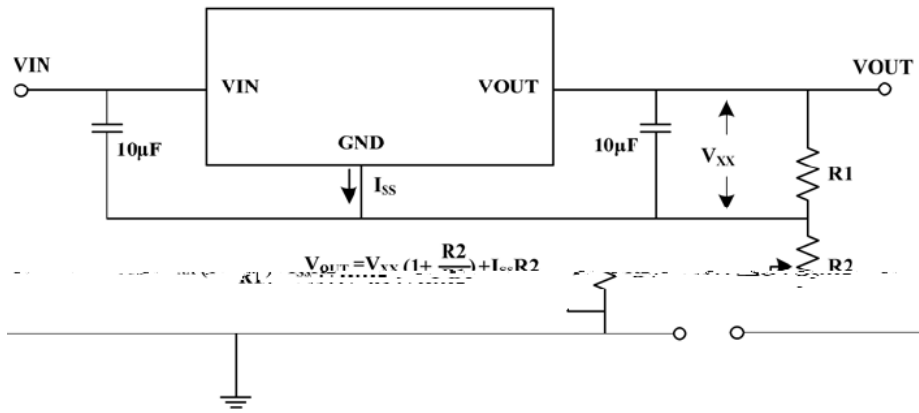


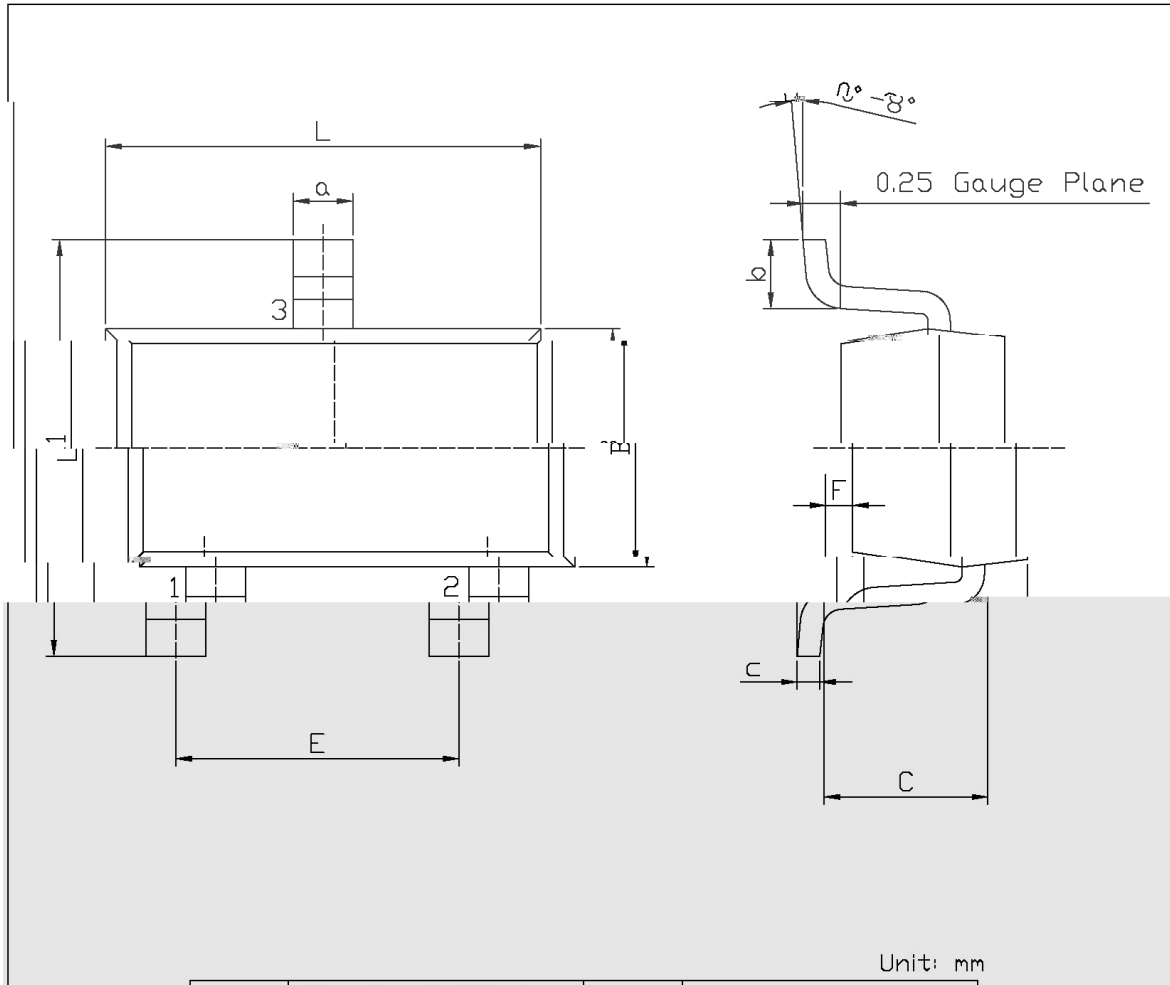
	△	≤ ≤				
			△			
						μ

△

△







Unit: mm

Dimensions in Millimeters

Dimensions in Millimeters

Dimension	Value	Dimension	Value
1	2.92	2	2.92
3	0.25	4	0.25

