

2SC1360(A)

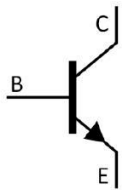
/ Descriptions

TO-92LM NPN

/ Features

/ Applications

/ Equivalent Circuit



/ Pinning

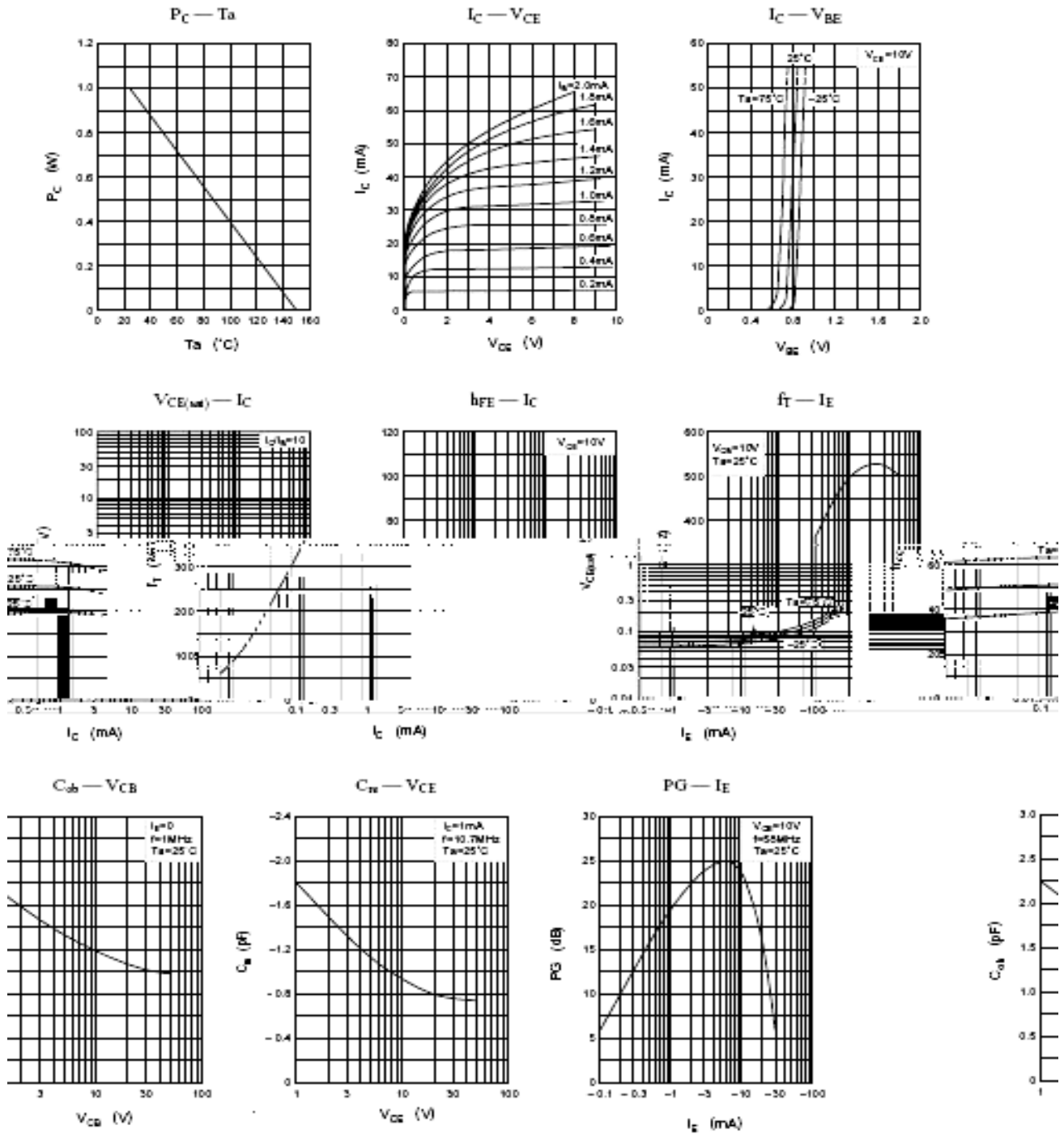


/ h_{FE} Classifications & Marking

			°C
			°C

--	--	--	--	--	--	--	--

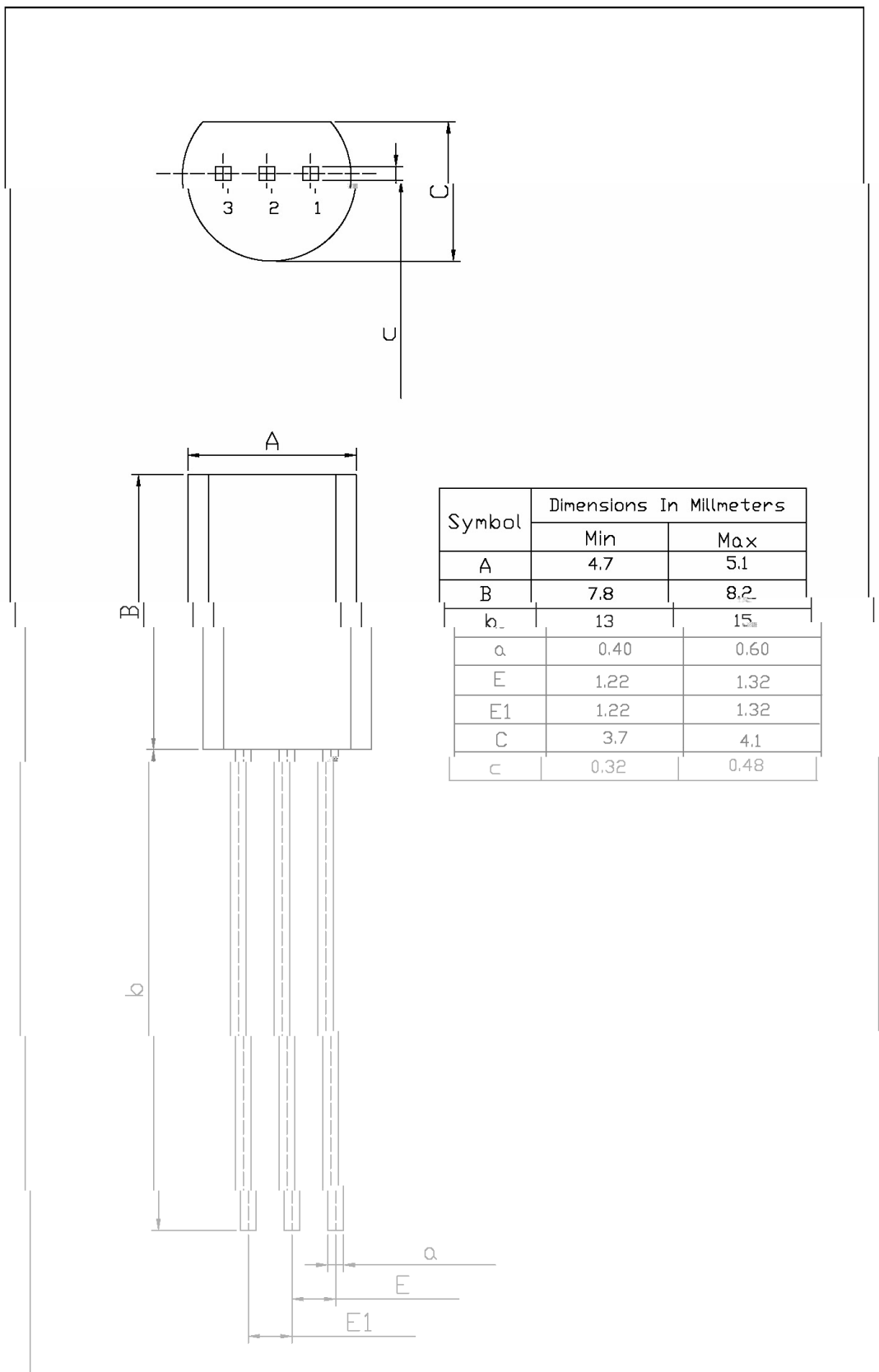
/ Electrical Characteristic Curve



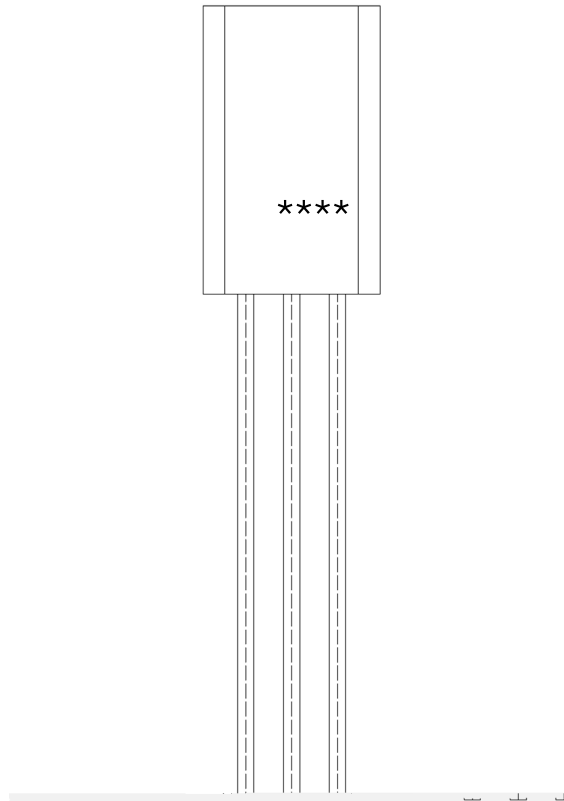
/ Package Dimensions

T0-92LM

Unit: mm



/ Marking Instructions

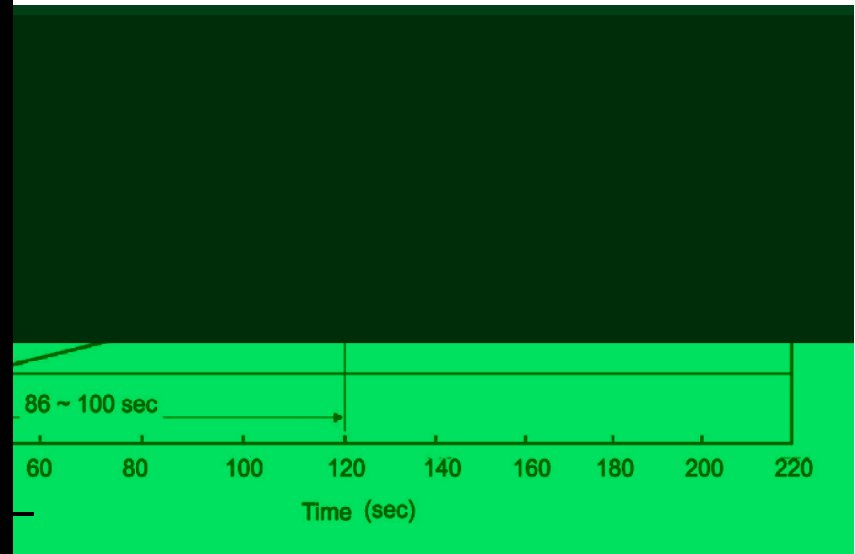


BR:

C1360A



Temperature Profile for Dip Soldering(Pb-Free)



±

±

±

Reference to Soldering Heat Test Conditions

±

±

包装数量			包装尺寸 :		
Units/Inner Box 只/盒	Inner Boxes/Outer Box 盒/箱	Units/Outer Box 只/箱	Bag 袋	Inner Box 盒	Outer Box 箱
8,000	5	40,000	135×190	237×172×102	560×245×195