

/ Descriptions

Silicon PNP transistor in a TO-220 Plastic Package.

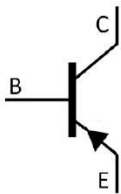
/ Features

Low collector saturation voltage, collector power dissipation, complementary to 2SD880.

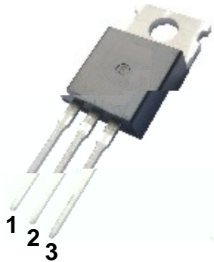
/ Applications

Audio frequency power amplifier applications.

/ Equivalent Circuit



/ Pinning



PIN1 Base PIN 2 Collector PIN 3 Emitter

/ h_{FE} Classifications & Marking

h_{FE} Classifications Symbol	O	Y	GR
h_{FE} Range	60 120	100 200	150 300

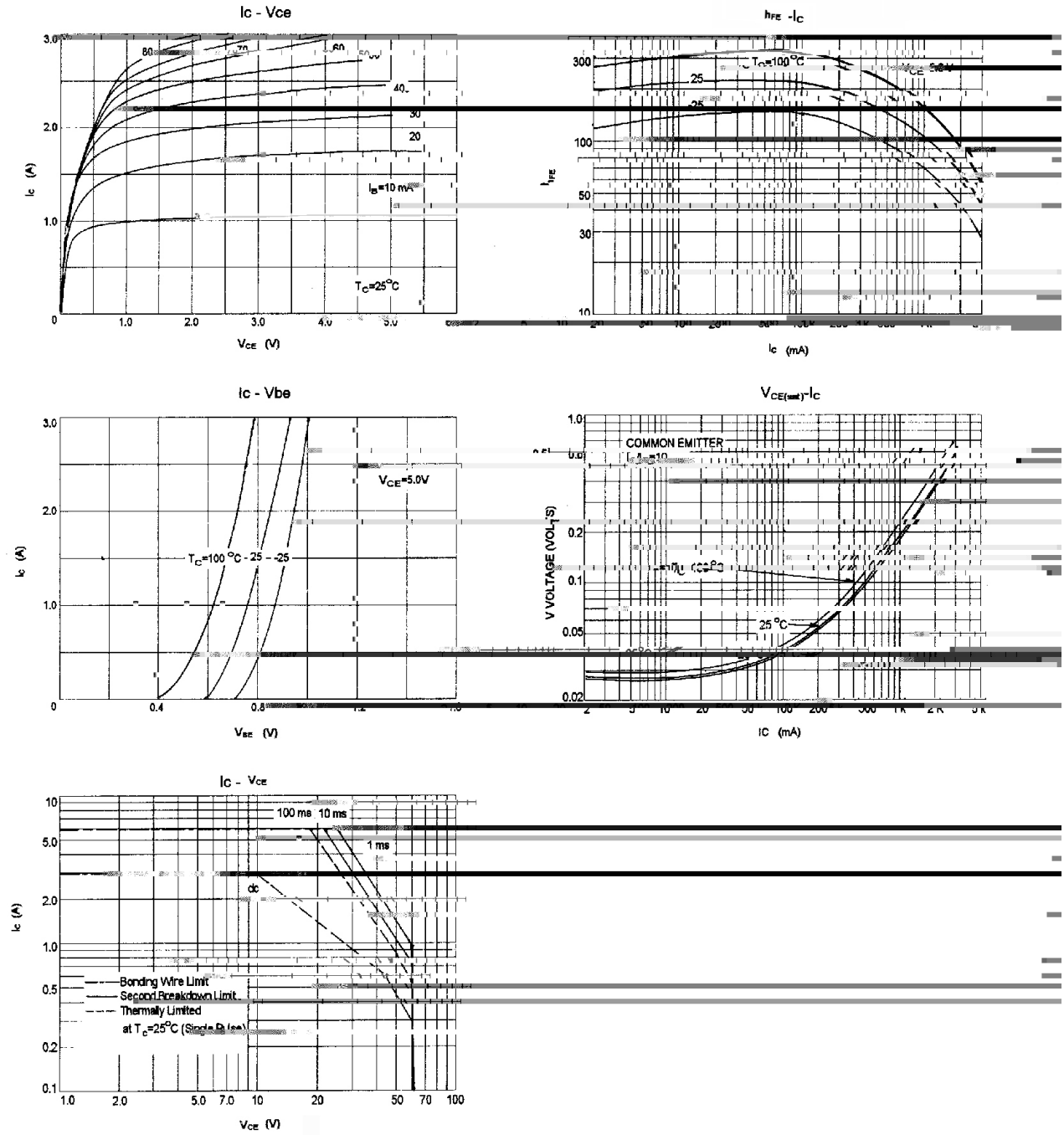
/ Absolute Maximum Ratings(Ta=25)

Parameter	Symbol	Rating	Unit
Collector to Base Voltage	V_{CBO}	-60	V
Collector to Emitter Voltage	V_{CEO}	-60	V
Emitter to Base Voltage	V_{EBO}	-7.0	V
Collector Current - Continuous	I_C	-3.0	A
Base Current - Continuous	I_B	-0.5	A
Collector Power Dissipation	P_C	1.5	W
	$P_C(T_C=25^{\circ}C)$	30	W
Junction Temperature	T_j	150	$^{\circ}C$
Storage Temperature Range	T_{stg}	-55 150	$^{\circ}C$

/ Electrical Characteristics(Ta=25)

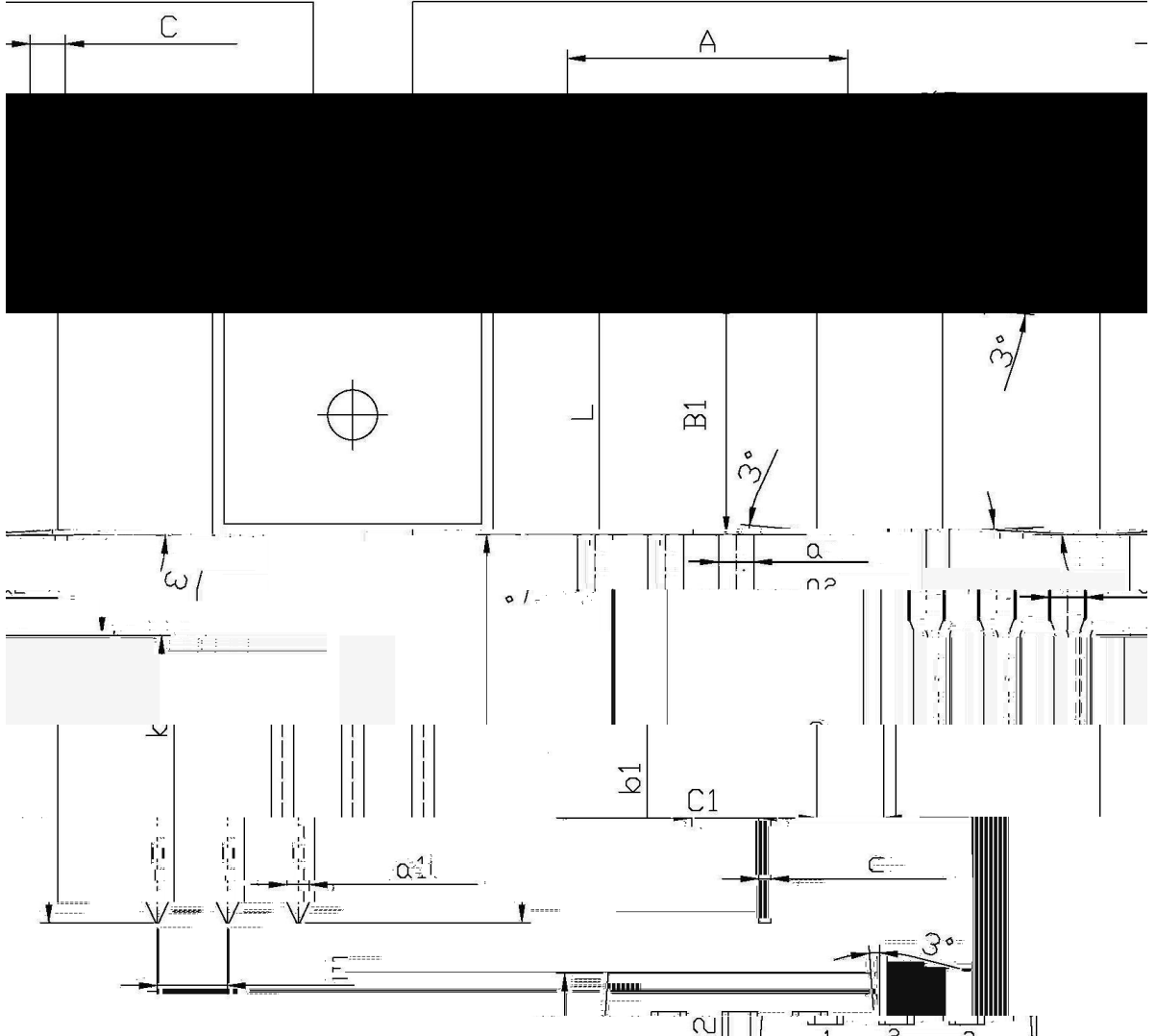
Parameter	Symbol	Test Conditions	Min	Typ	Max	Unit
Collector to Base Breakdown Voltage	V_{CBO}	$I_C=-50mA$ $I_B=0$	-60			V
Collector Cut-Off Current	I_{CBO}	$V_{CB}=-60V$ $I_E=0$			-100	μA
Emitter Cut-Off Current	I_{EBO}	$V_{EB}=-7.0V$ $I_C=0$			-100	μA
DC Current Gain	$h_{FE(1)}$	$V_{CE}=-5.0V$ $I_C=-0.5A$	60		300	
	$h_{FE(2)}$	$V_{CE}=-5.0V$ $I_C=-3.0A$	20			
Collector to Emitter Saturation Voltage	$V_{CE(sat)}$	$I_C=-3.0A$ $I_B=-0.3A$		-0.5	-1.0	V
Base to Emitter Voltage	V_{BE}	$V_{CE}=-5.0V$ $I_C=-0.5A$		-0.7	-1.0	V
Transition Frequency	f_T	$V_{CE}=-5.0V$ $I_C=-0.5A$		9.0		MHz
Collector output capacitance	C_{ob}	$V_{CB}=-10V$ $I_E=0$ $f=1.0MHz$		150		pF
Turn-On Time	t_{on}	$-I_{B1}=I_{B2}=0.2A$		0.4		μS
Storage Time	t_{stg}			1.7		
Fall Time	t_f			0.5		

/ Electrical Characteristic Curve



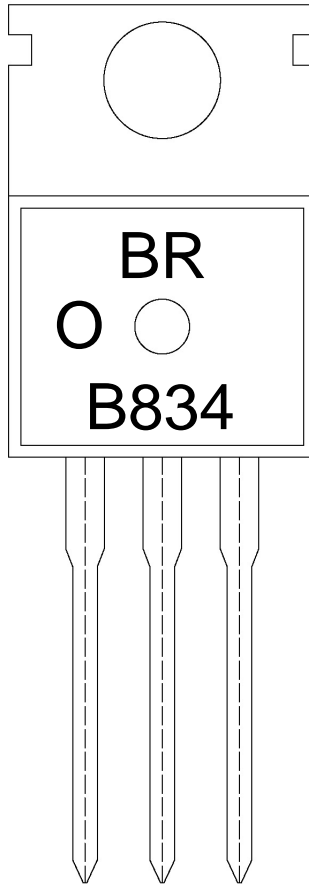
/ Package Dimensions

单位: mm TO-220 单



Symbol	Dimensions in millimeters		Symbol	Dimensions in millimeters	
	Min	Max		Min	Max
A	9.8	10.2	C	1.2	1.4
B	3.56	3.64	B	6.3	6.7
B1	15.7	16.1	B1	9.0	9.4
a	1.22	1.32	C1	0.4	0.6
E	2.34	2.74	C2	4.3	4.7
Q2	1.25	1.45			

/ Marking Instructions



Note:

BR: Company Code

B834: Product Type.

O: h_{FE} Classifications Symbol

***: Lot No. Code, code change with Lot No.

() / Temperature Profile for Dip Soldering(Pb-Free)



Note:

- | | | | | | |
|---|-----|-----|----|----------|---|
| 1 | 25 | 150 | 60 | 90sec; | 1.Preheating:25~150 , Time:60~90sec. |
| 2 | 255 | 5 | 5 | 0.5sec; | 2.Peak Temp.:255 5 , Duration:5 0.5sec. |
| 3 | | | 2 | 10 /sec. | 3. Cooling Speed: 2~10 /sec. |

/ Resistance to Soldering Heat Test Conditions

270 5 10 1 sec. Temp.:270±5℃ Time:10±1 sec

/ Packaging SPEC.

/ BULK

Package Type 封装形式	Units 包装数量					Dimension 包装尺寸 (unit: mm ³)		
	只袋	袋盒	只盒	盒箱	只箱	袋	盒	箱

/ TUBE

Package Type 封装形式	Units 包装数量					Dimension 包装尺寸 (unit: mm ³)		
	只套管	套管盒	只盒	盒箱	只箱	套管	盒	箱

/ Notices