

2SA673(A)

/ Descriptions

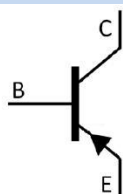
TO-92 PNP

/ Features

2SC1213(A)

/ Applications

/ Equivalent Circuit



/ Pinning



/ hFE Classifications & Marking

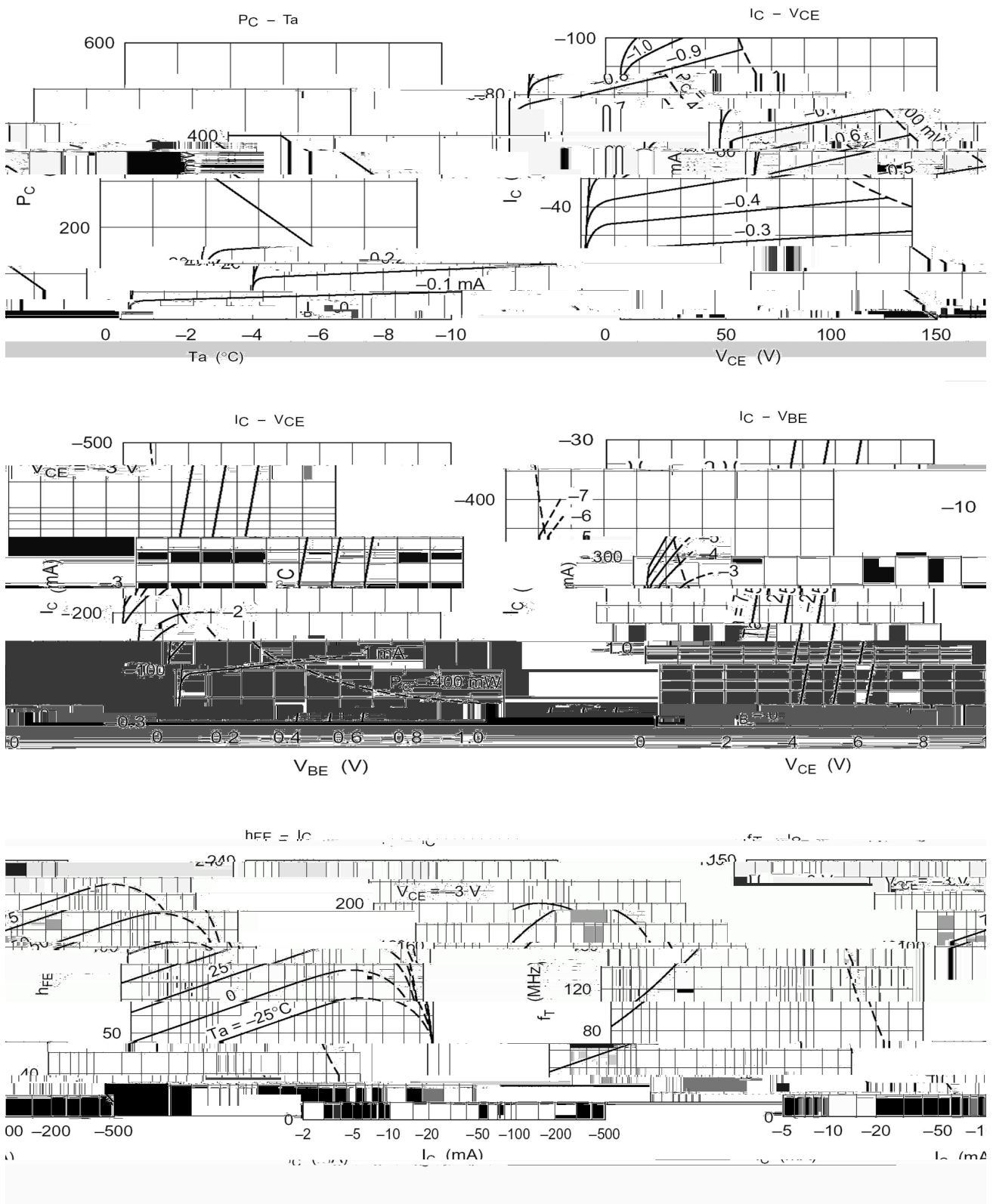
/ Absolute Maximum Ratings(Ta=25)

				°C
				°C

/ Electrical Characteristics(Ta=25)

			μ			
			μ			
						μ

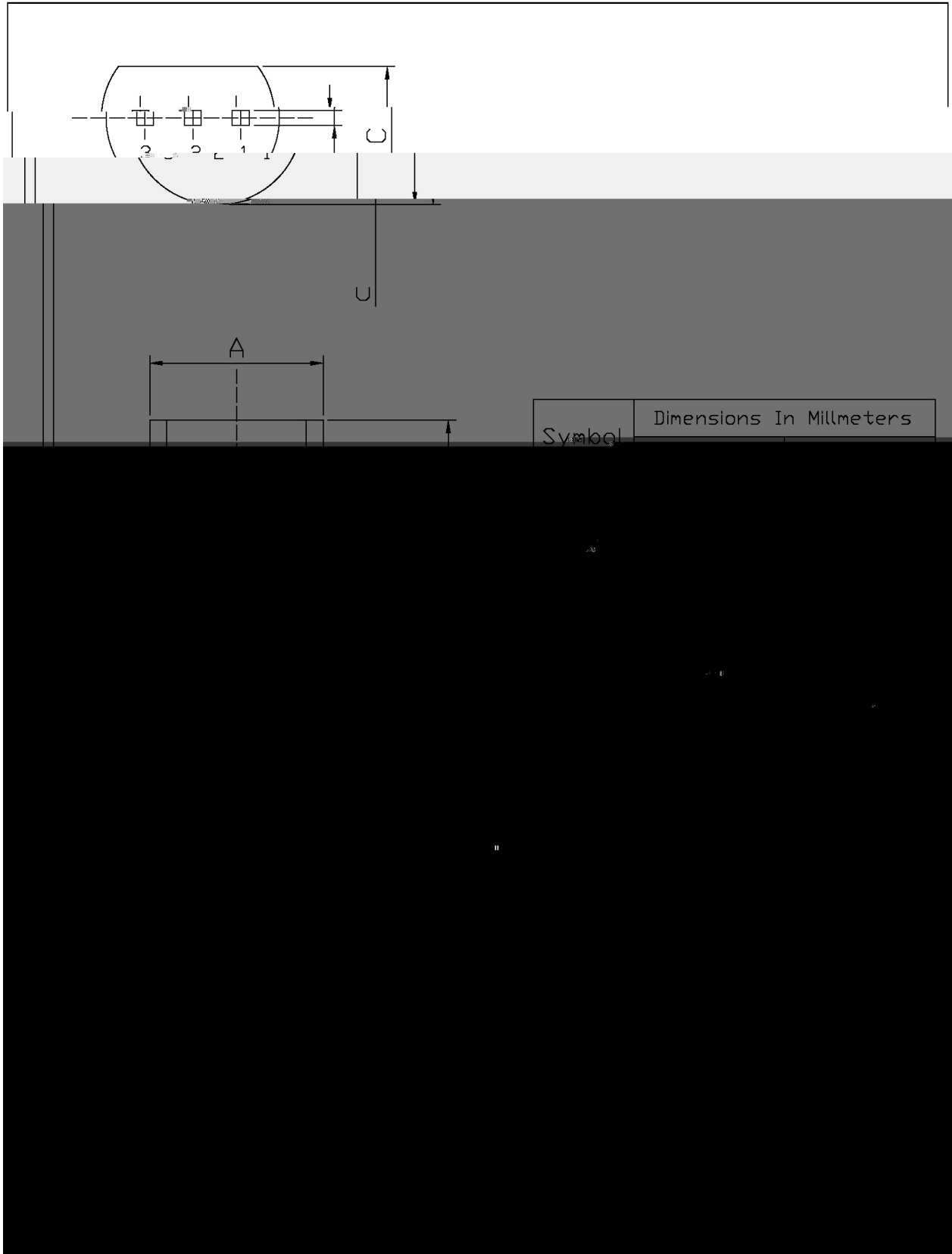
/ Electrical Characteristic Curve



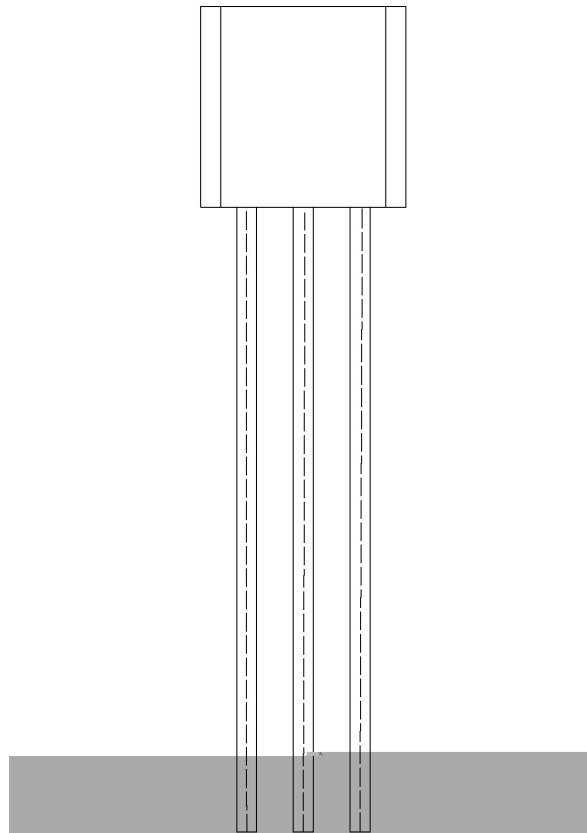
/ Package Dimensions

TO-92

Unit: mm

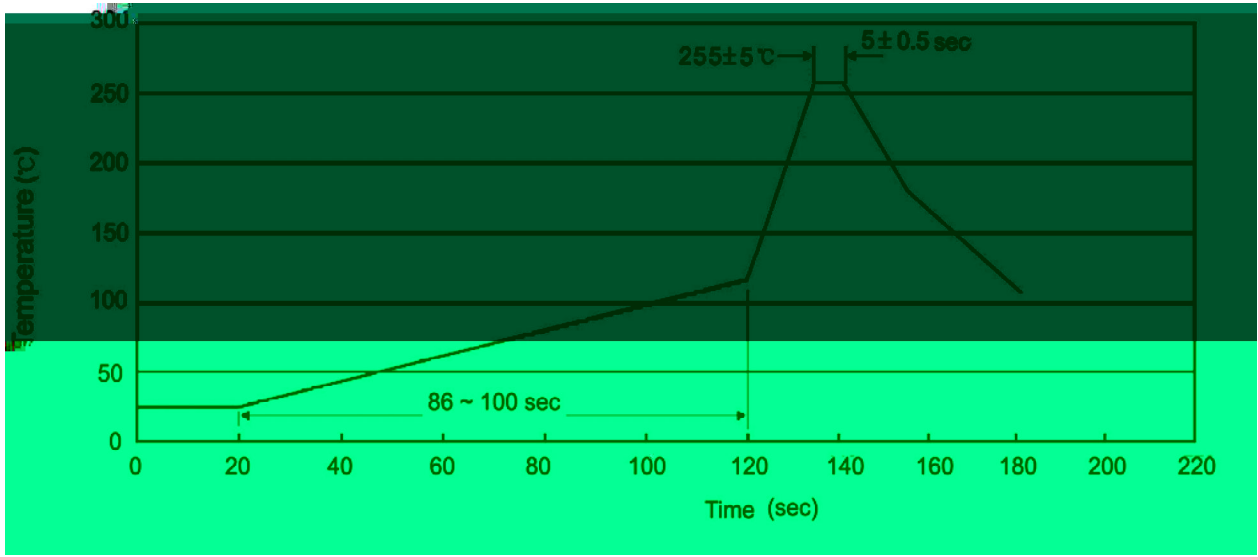


/ Marking Instructions



BR:
A673
B:

() / Temperature Profile for Dip Soldering(Pb-Free)



± ± ± ±

/ Resistance to Soldering Heat Test Conditions

± ± °C

/ Packaging SPEC.

封装形式	包装数量					包装尺寸 :		
	只袋	袋盒	只盒	盒箱	只箱	袋	盒	箱