

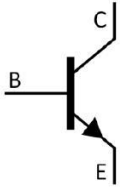
/ Descriptions

TO-92 NPN

/ Features

/ Applications

/ Equivalent Circuit

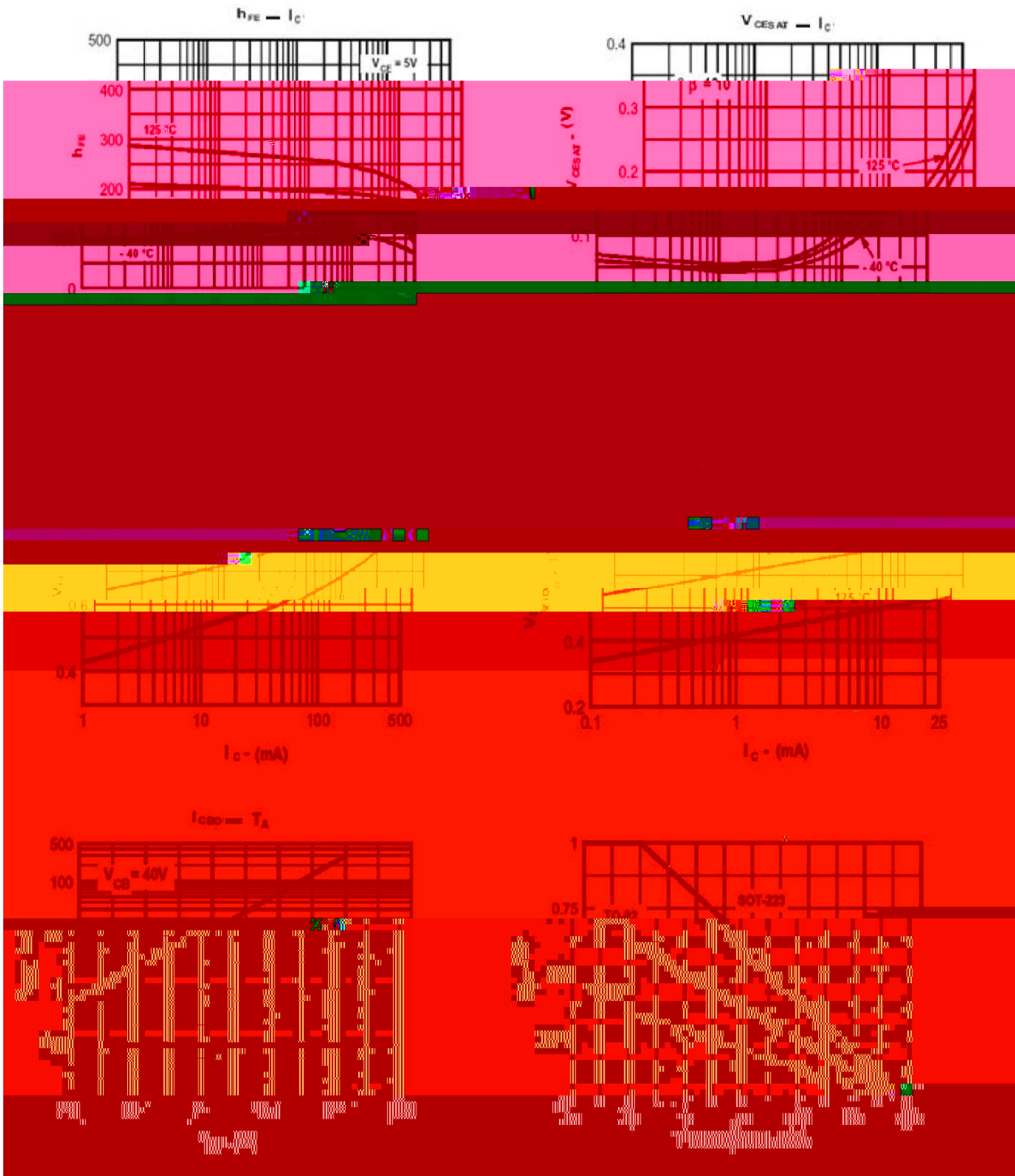


/ Pinning



/ hFE Classifications & Marking

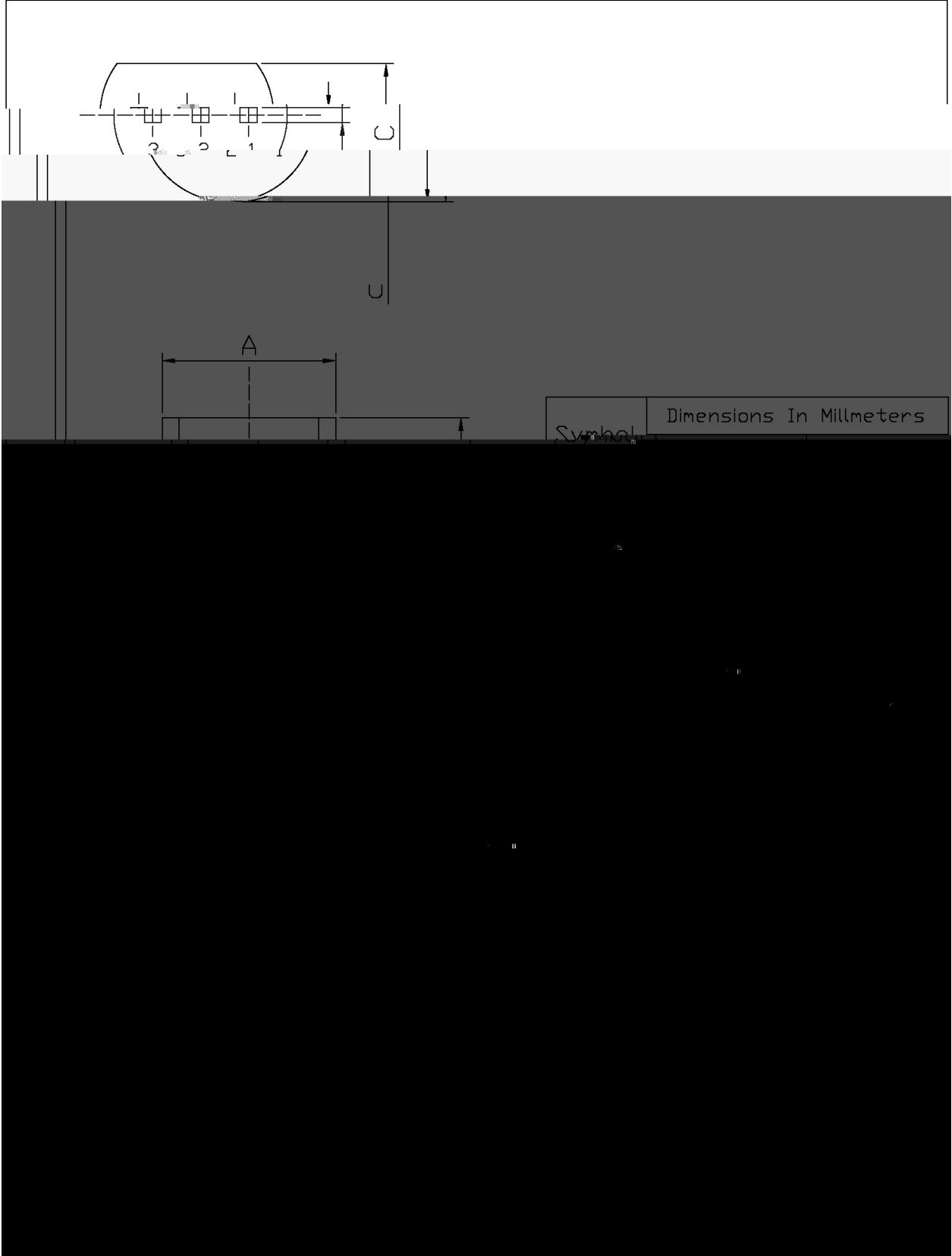
/ Electrical Characteristic Curve



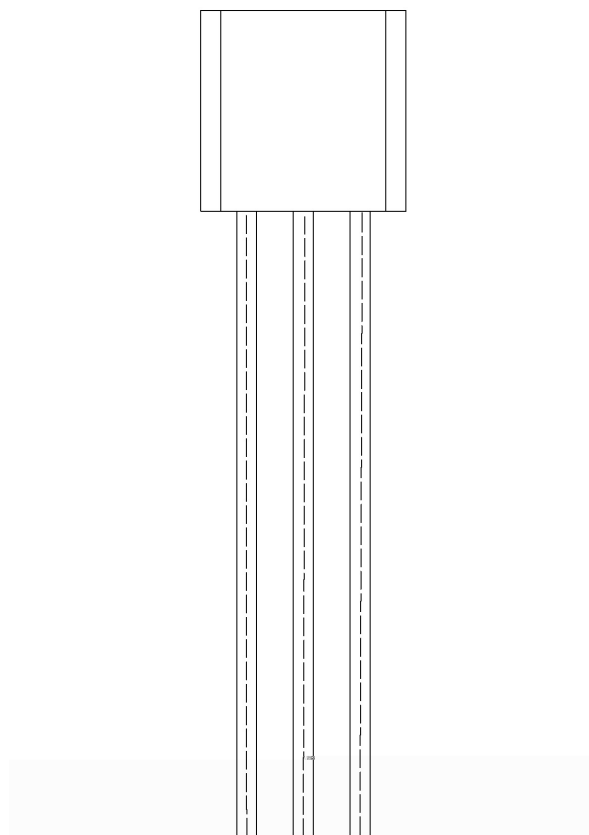
/ Package Dimensions

TO-92

Unit: mm

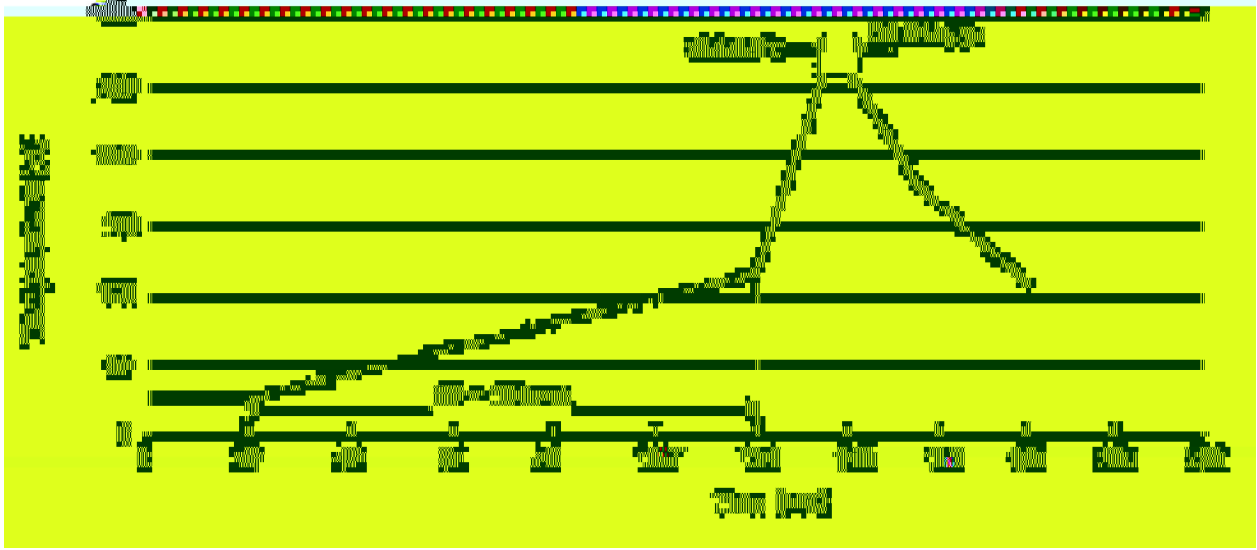


/ Marking Instructions



BR:
N 2222

() / Temperature Profile for Dip Soldering(Pb-Free)



± ± ± ±

/ Resistance to Soldering Heat Test Conditions

± ± °C

/ Packaging SPEC.

/ Notices